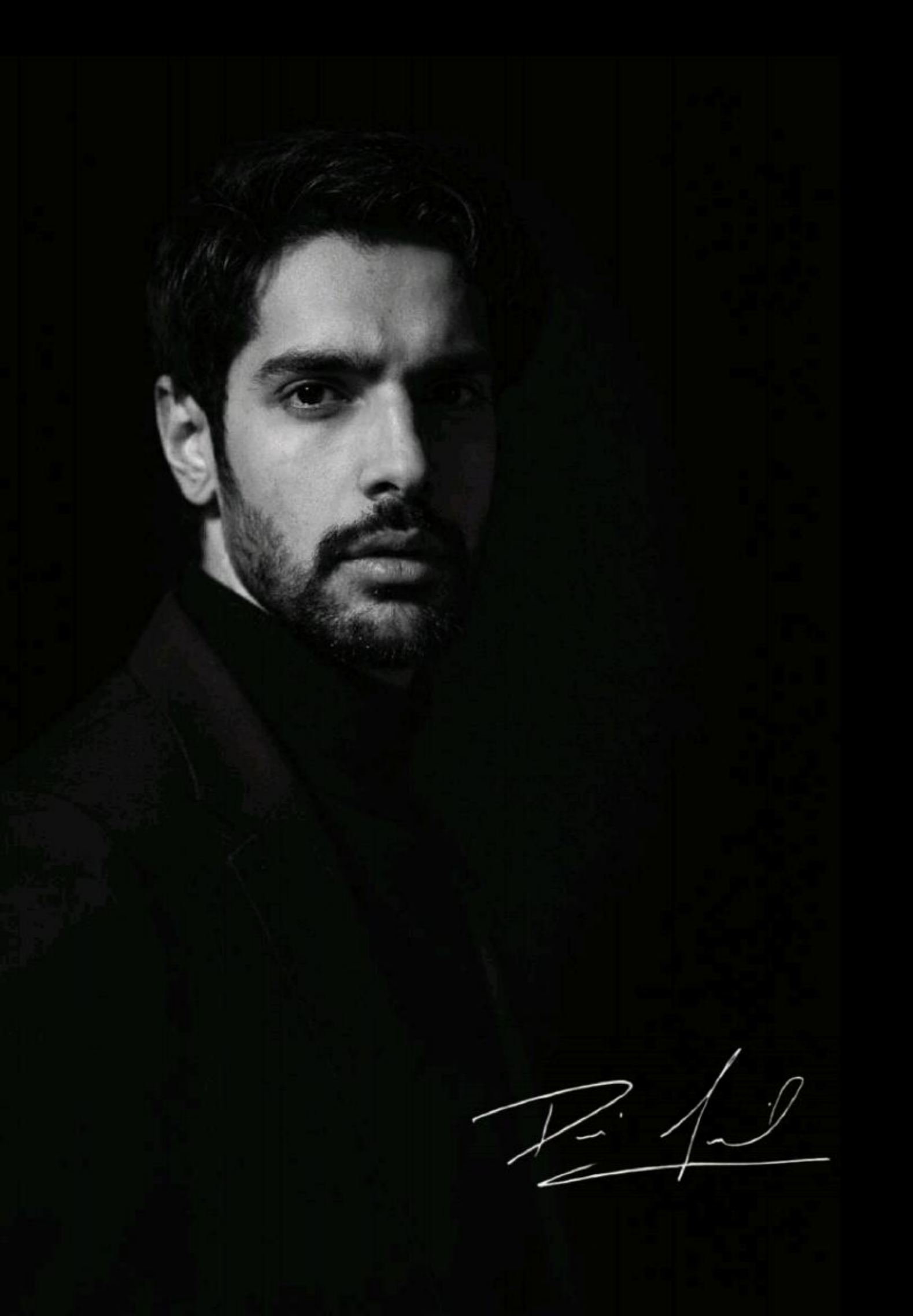




DANISH
— Sohail —



In order to provide
a comfortable living environment for every family



DANISH
—Sohail—

Make The Wardrobe Space Simpler And More Organized

D. Sohail

www.danishsohailgroup.com



DANISH
—Sohail—

danishsohailgroup.com

Hardware & Gadgets Series



Location



Whatsapp

Email: dshardware.official@gmail.com

Telephone Number: +92 316 410 7770

Facebook: dshardware

Instagram: dshardware

Youtube: @danishsohailgroup



HISTORY

1975

Year Established

Wholesale Clients

Wholesale Clients Nationwide

Retail

Elite Buyers

Company Profile

Founded by visionary entrepreneur **Muhammad Danish Ibn Sohail**, **DS Group** is a leading provider of innovative solutions in the fields of **hardware, kitchen, wardrobe, media wall, and construction of house's**. Rooted in a legacy dating back to , our company is built on the core values of excellence, creativity, and customer satisfaction.

With a strong presence in the hardware industry for decades, we' ve grown into a diversified brand that brings quality and innovation together. Our extensive network includes **nationwide customers**, a testament to our reputation and commitment to excellence.

Our Departments:

DS Hardware

Focused on delivering premium hardware solutions, this department caters to industries such as construction, furniture, and manufacturing. We offer a curated range of products including handles, knobs, hooks, and other essential accessories.

DS Ambience

This department specializes in creating immersive living and working environments. From **hinges** to **kitchen and wardrobe accessories**, we transform everyday spaces into personalized lifestyle statements.

DS Render

Combining technology with design, our rendering division provides high-quality **3D visualizations** and **architectural renders**, empowering professionals to showcase their concepts with precision and realism.



CONTENTS



4D Hinge	01-06
Pop-up socket	07-12
B - HIVE PROFILE	13-16
SAMART CABINET GLASS SHUTTER	17-22
FREE STANDING ORGANISERS	23-86



HYDRAULIC HINGE

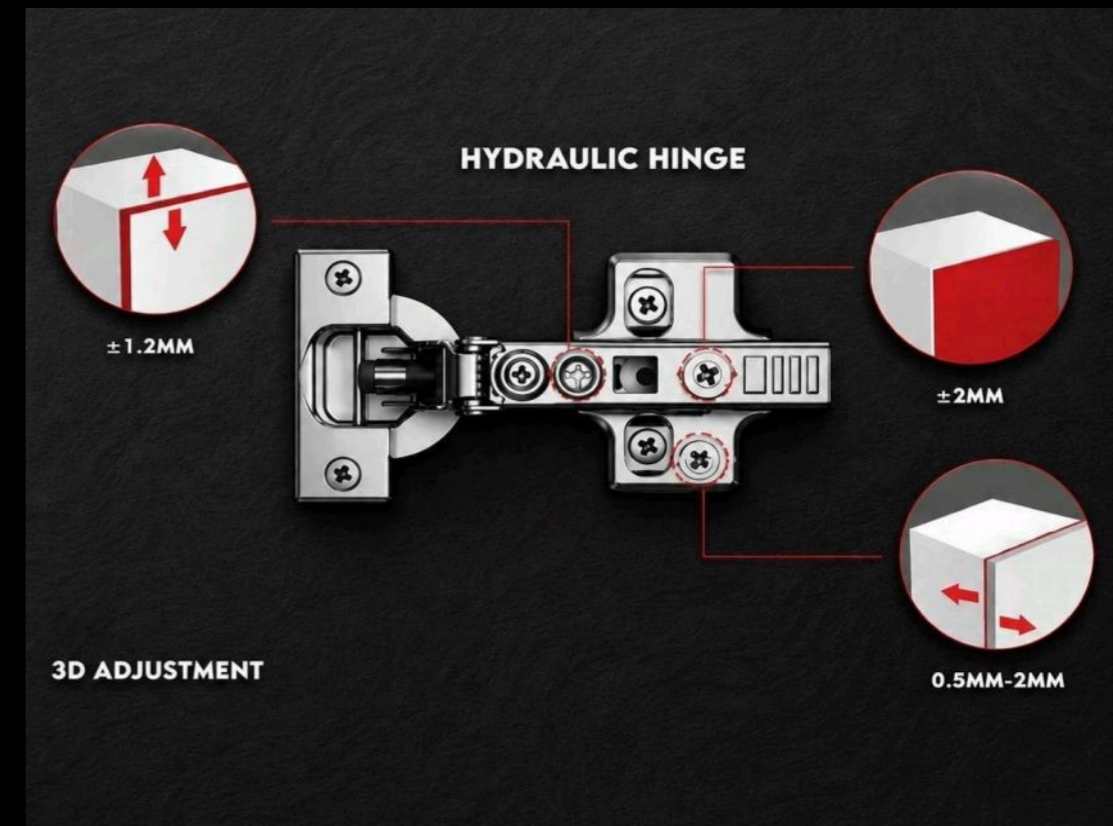


Bl^dm 45mm Screw Hole Distance

4D Hinge



SOFT CLOSING FUNCTION



4D Hinge



Hardware & Gadgets Series



CLOSING SPEED ADJUSTMENT

HYDRAULIC HINGE

- CLOSING SPEED ADJUSTMENT**
Rotate to adjust closing speed
- SOFT CLOSING FUNCTION**
Ensures silent and smooth closing
- DURABLE & CORROSION RESISTANT**
High quality steel with nickel plating
- LONG LASTING PERFORMANCE**
Built for reliability and durability

HYDRAULIC HINGE

- CORROSION RESISTANT**
Withstands rust and moisture
- SALT SPRAY TESTED**
Passed over 48 hours salt spray test
- SMOOTH & STABLE**
Precise engineering for smooth operation
- HIGH DURABILITY**
Built to last long

PASSED OVER 48 HOURS SALT SPRAY TEST

HYDRAULIC HINGE

3D ADJUSTMENT

- VERTICAL ADJUSTMENT**
±1.2MM
- DEPTH ADJUSTMENT**
±2MM
- SIDE ADJUSTMENT**
0.5MM - 2MM

HYDRAULIC HINGE

- HIGH DURABILITY**
Engineered for long life
- LIFT CYCLE TESTED**
Passed over 50,000 times lift cycle test
- SOFT CLOSE**
Smooth and silent closing action
- STABLE PERFORMANCE**
Consistent and reliable operation

PASSED OVER 50,000 TIMES LIFT CYCLE TEST

TECHNICAL SPECIFICATIONS	
Opening Angle	0° - 90°
Door Thickness	Maxim - 28mm
Cup Diameter	35mm
Cup Depth	15.5mm
Material	Cold Rolled Steel
Finish	Nickel Plated
Closing Type	Soft Closing Hydraulic

CLIP DRILLING

4D Hinges

Item	COLOR	SURFACE TREATMENT	Description
4D Hinges	Chrome	Nickel plated	The main frame is made of space cold rolled steel material wiith chrome finished.

POPUP SOCKET



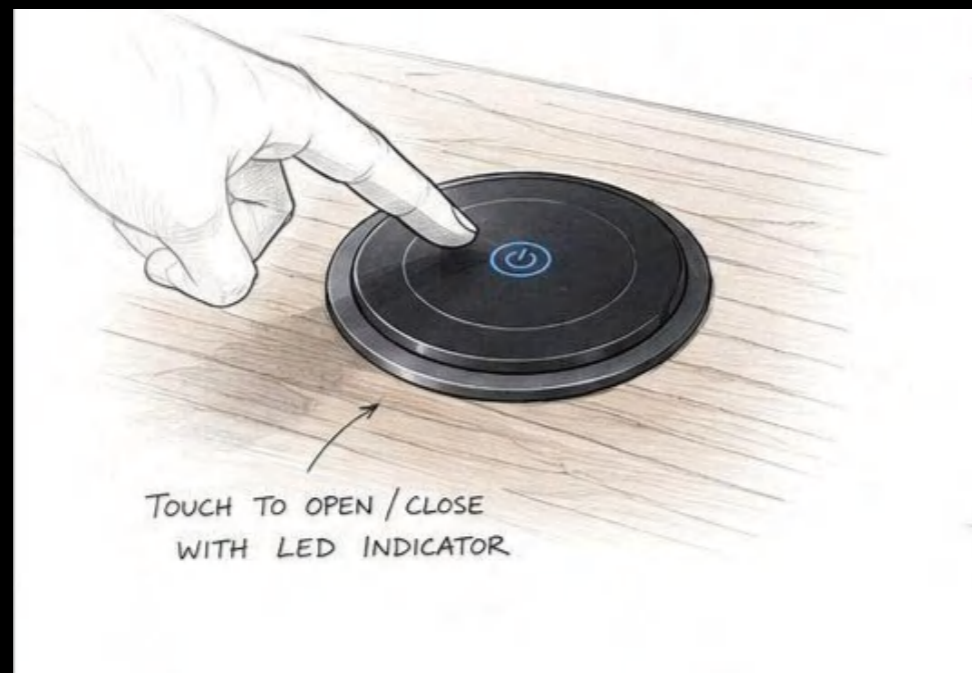


POPUP SOCKET





Hardware & Gadgets Series

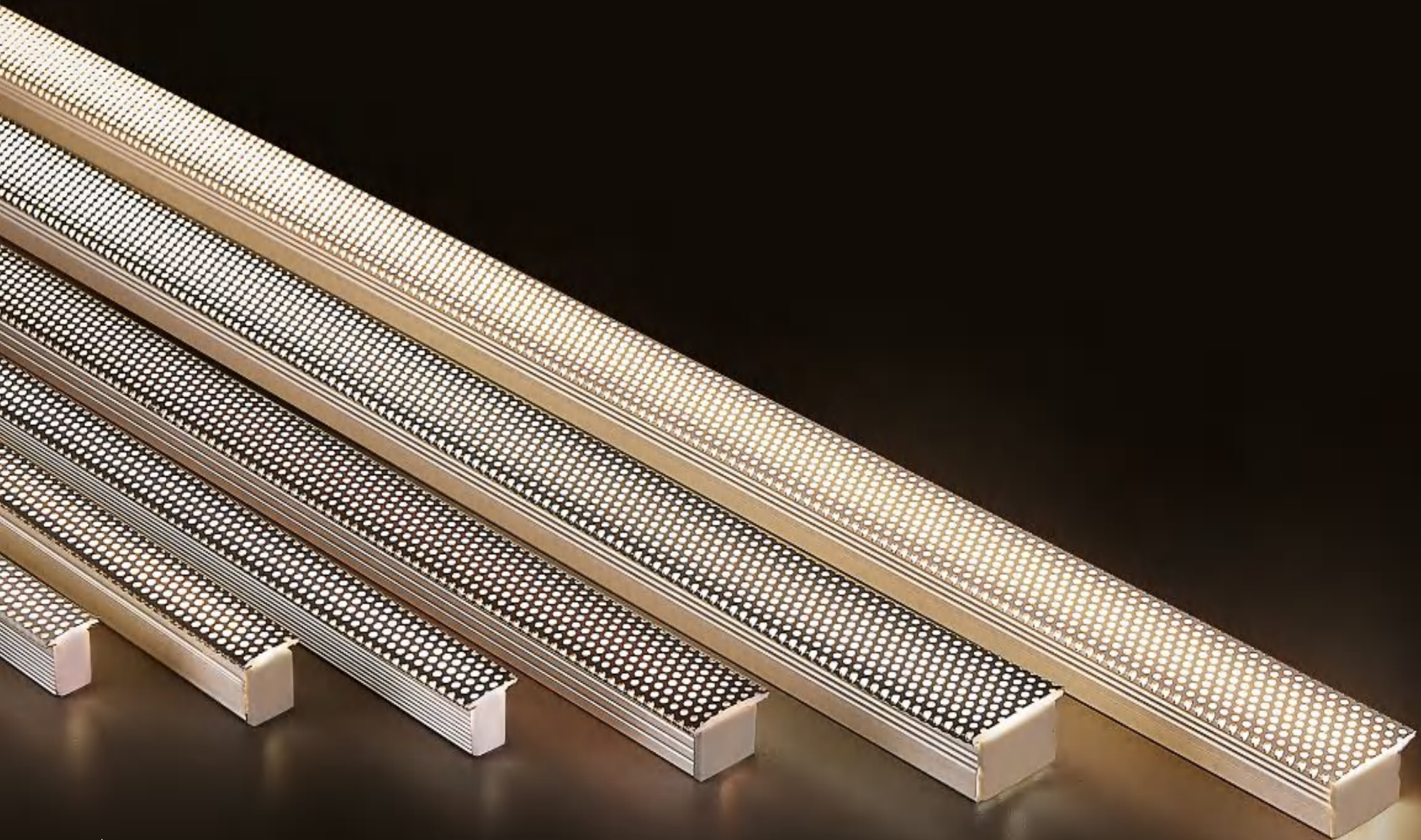


Building home order through storage, optimizing and creating a clean and organized home space

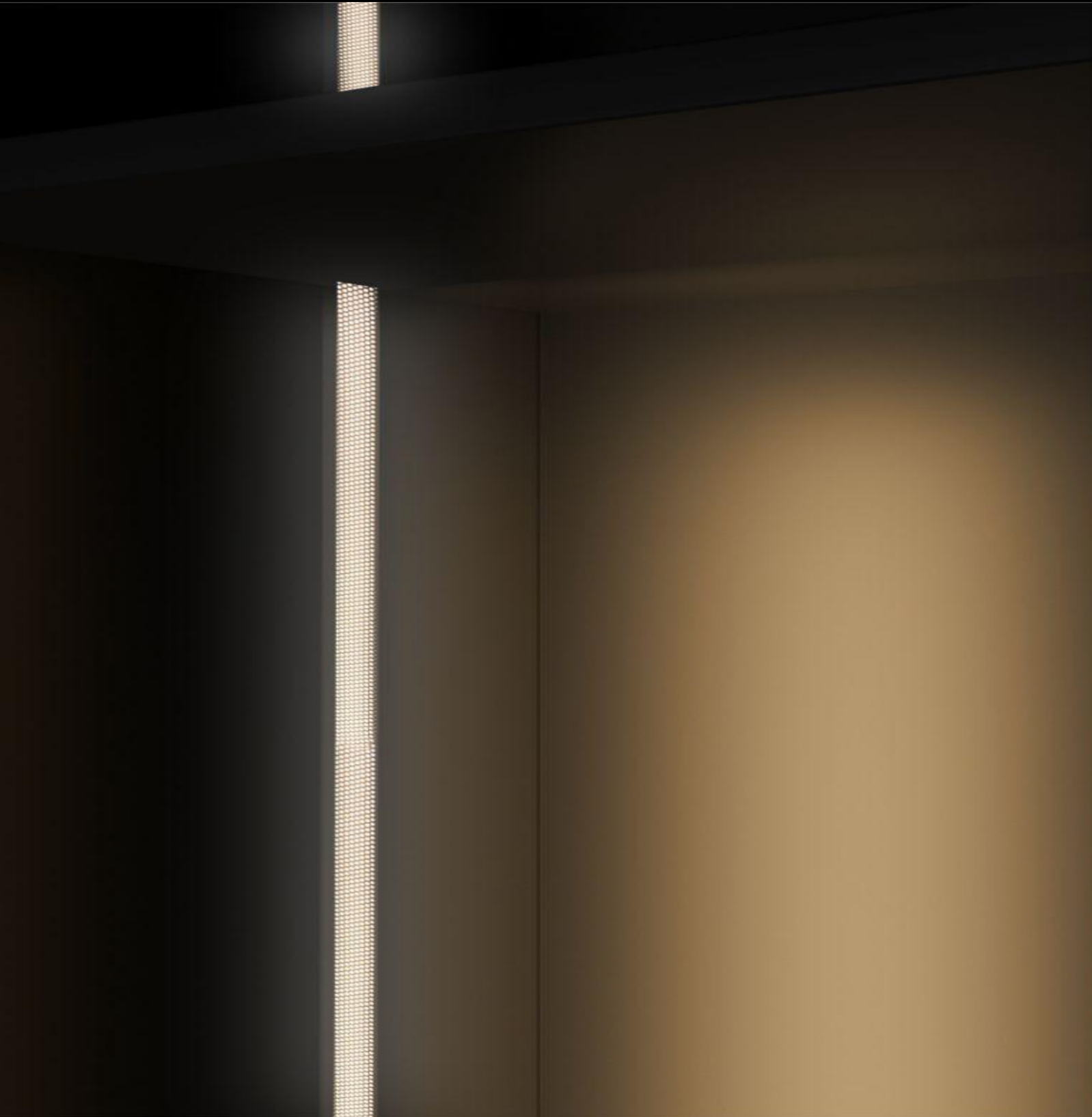
POPUP SOCKET

Item	COLOR	SURFACE TREATMENT	Description	SIZE (LxWxH)
POPUP SOCKET	Grey & Black	Fluorocarb spraying	The main frame is made of space ABS plastic material with grey and black finished.	300x120x150mm
				300x120x150mm

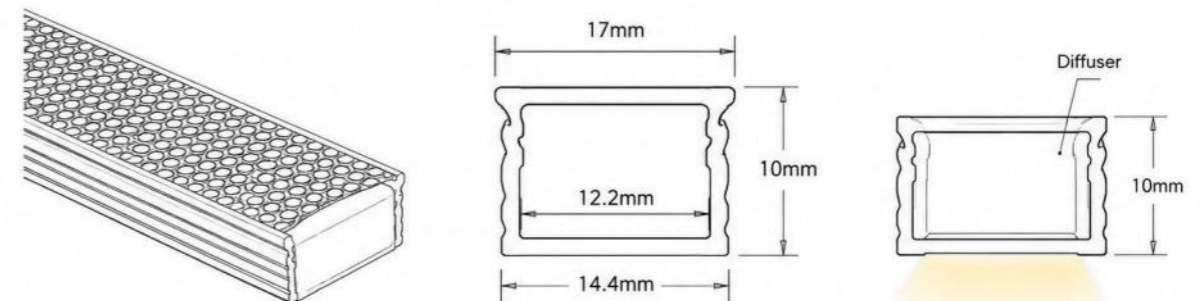
B - HIVE PROFILE



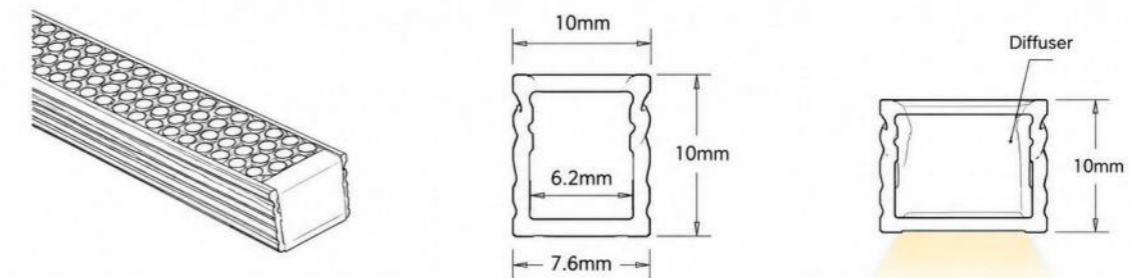
Hardware & Gadgets Series



17mm WIDTH PROFILE



10mm WIDTH PROFILE



All dimensions in millimeters (mm)
Tolerances: $\pm 0.2\text{mm}$

B - HIVE PROFILE

Item	COLOR	FINISH	Description	SIZE (L)
B - HIVE PROFILE	White & Black	Anodised silver	The main frame is made of space aluminium alloy, with the front of Lina finished.	3000mm length

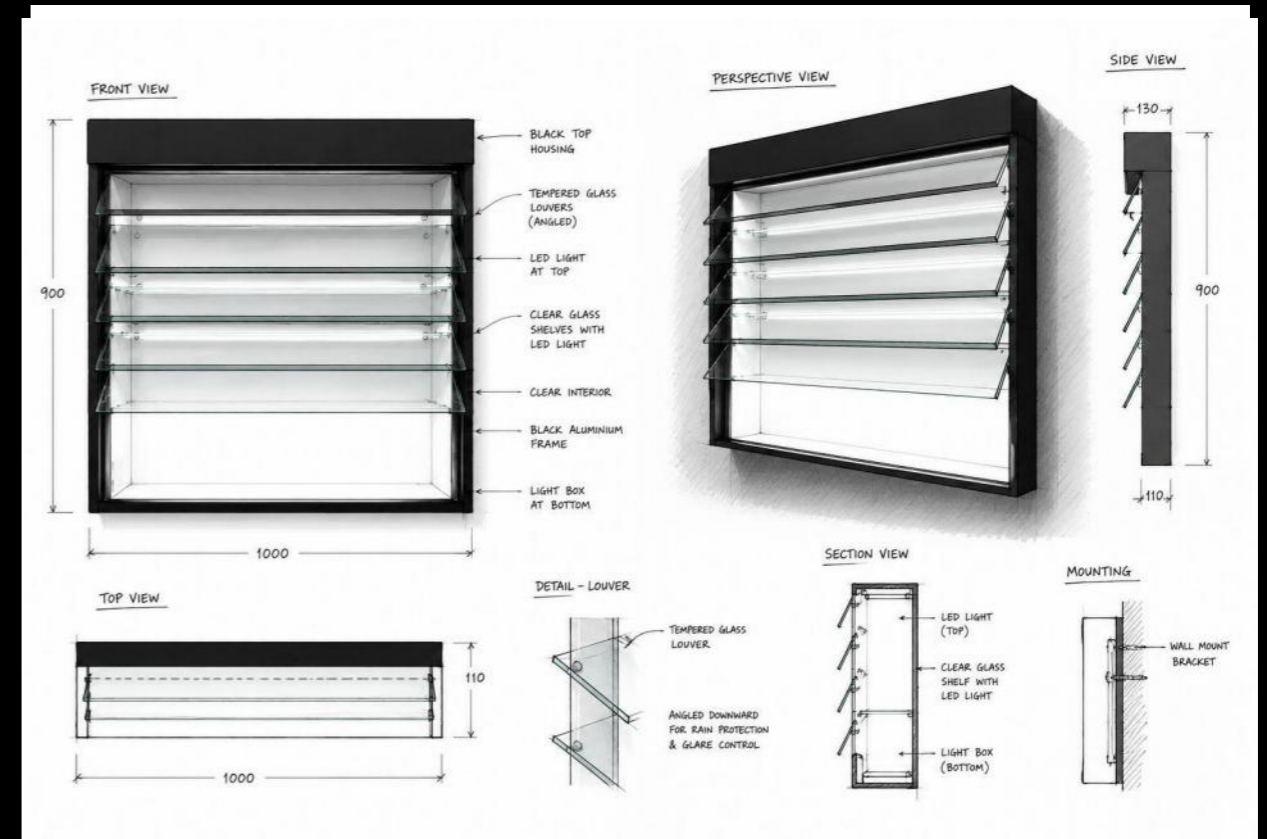
SMART CABINET GLASS SHUTTER



SMART CABINET GLASS SHUTTER



Hardware & Gadgets Series



SMART CABINET GLASS SHUTTER

Item	COLOR	SURFACE TREATMENT	Description	SIZE (LxWxH)
SAMART CABINET GLASS SHUTTER	Black	Tempered Glass	The main frame is made of space Tempered Glass, With the inside 10mm glass shelves box.	900mm standard
				900mm standard



DANISH
— Sohail —

FREE STANDING ORGINISERS SERIES



In order to provide
a comfortable living environment for every family



CUTLERY TRAY





FREE STANDING ORGANISERS

Series



Arrange items from left to right mimicking a table setting (Forks → Knives → Spoons). Reserve top or side compartments for longer utensils like spatulas and whisks

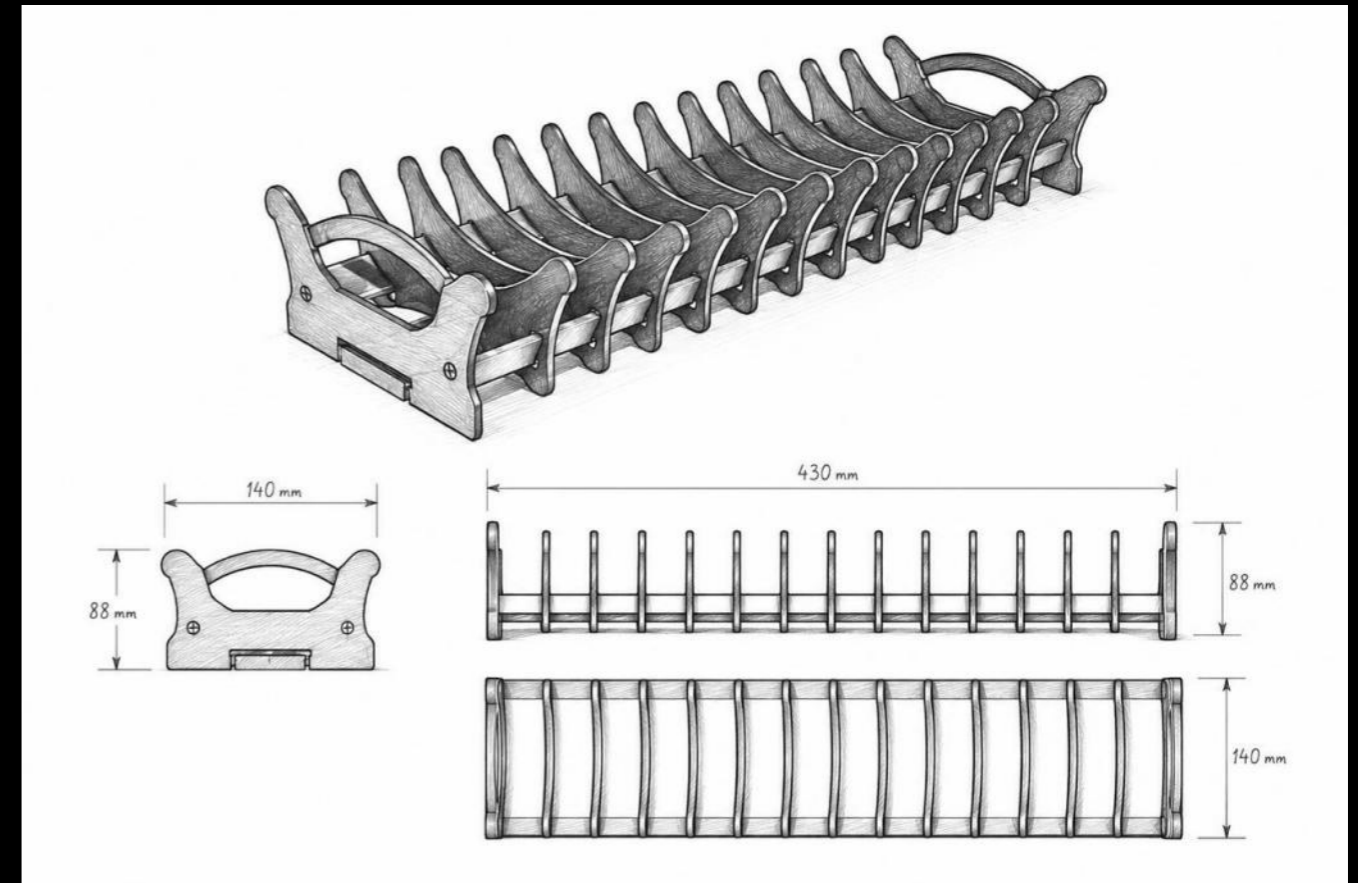
CUTLERY TRAY

Item	COLOR	FINISH	Description	SIZE
CUTLERY TRAY	Grey	TEXTURED/ GLOSSY	The main frame is made of space ABS material with grey textured/ glossy finishes.	900mm cabin size 600mm cabin size



FREE STANDING ORGANISERS

Series



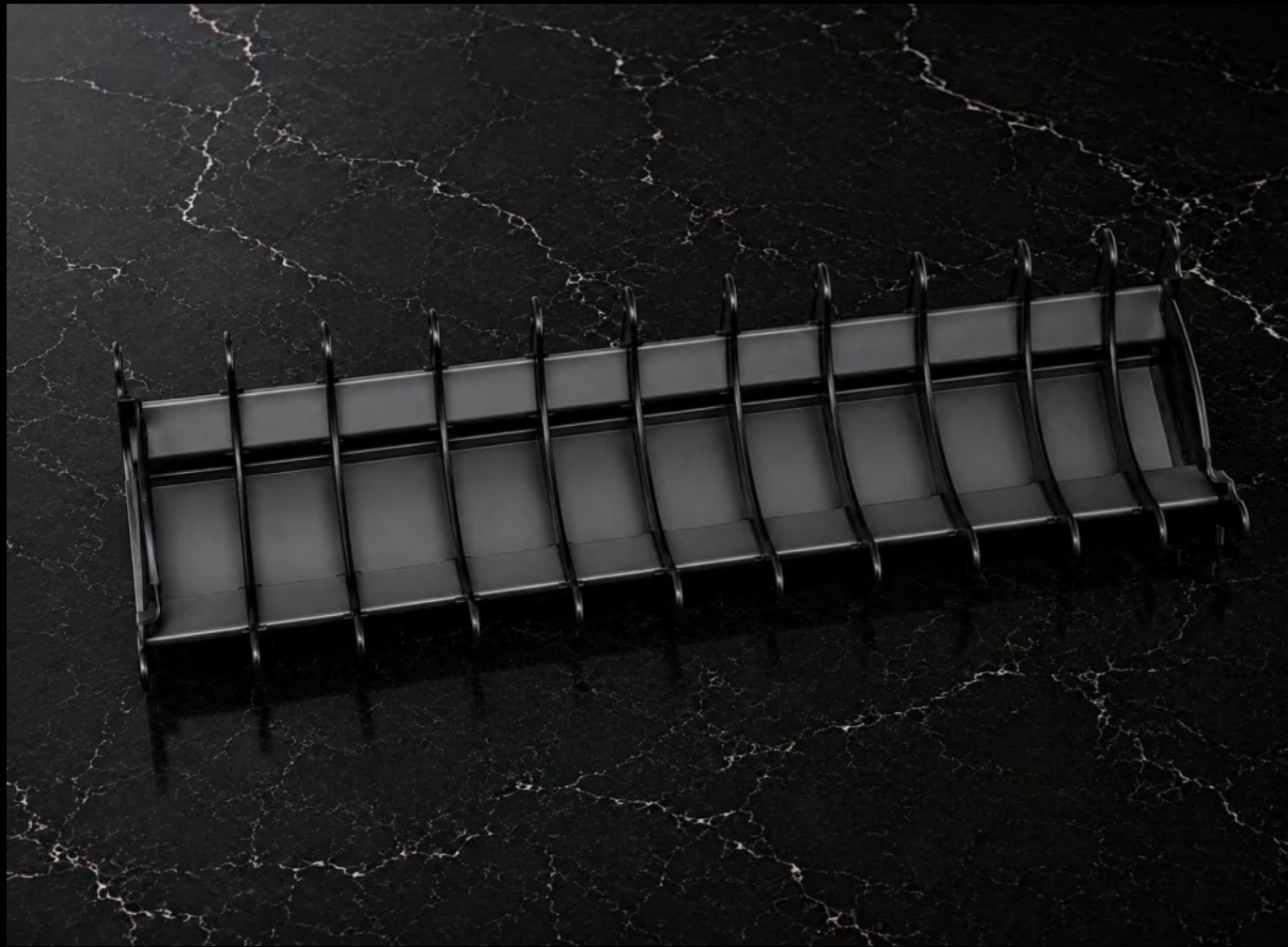
PLATES ORGANISER

Item	COLOR	MATERIAL	Description	SIZE (LxWxH)
PLATES ORGANISER	Black	ABS MATERIAL	The main frame is made of space ABS material .	FREE STANDING

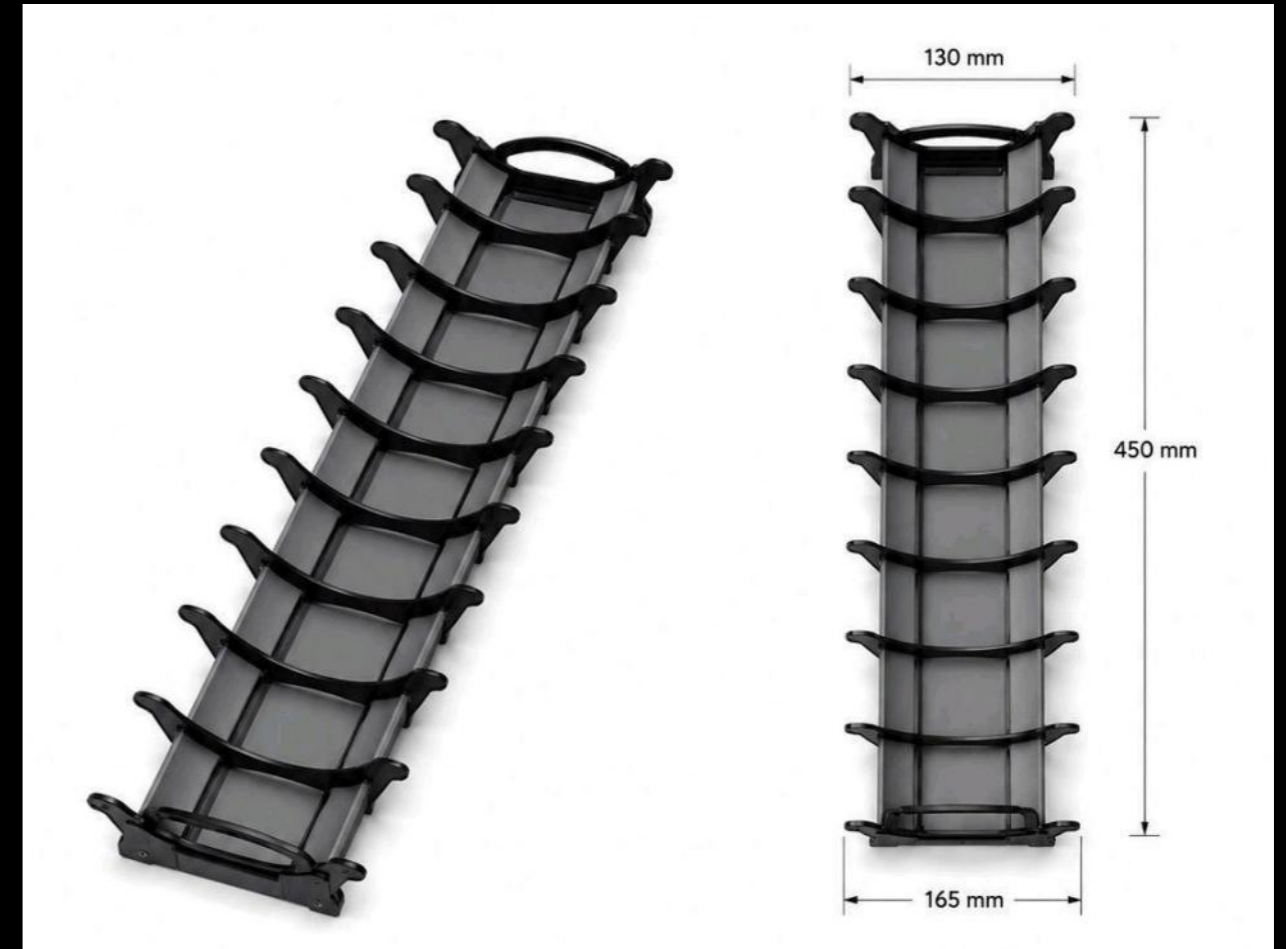


DANISH
—Sohail—



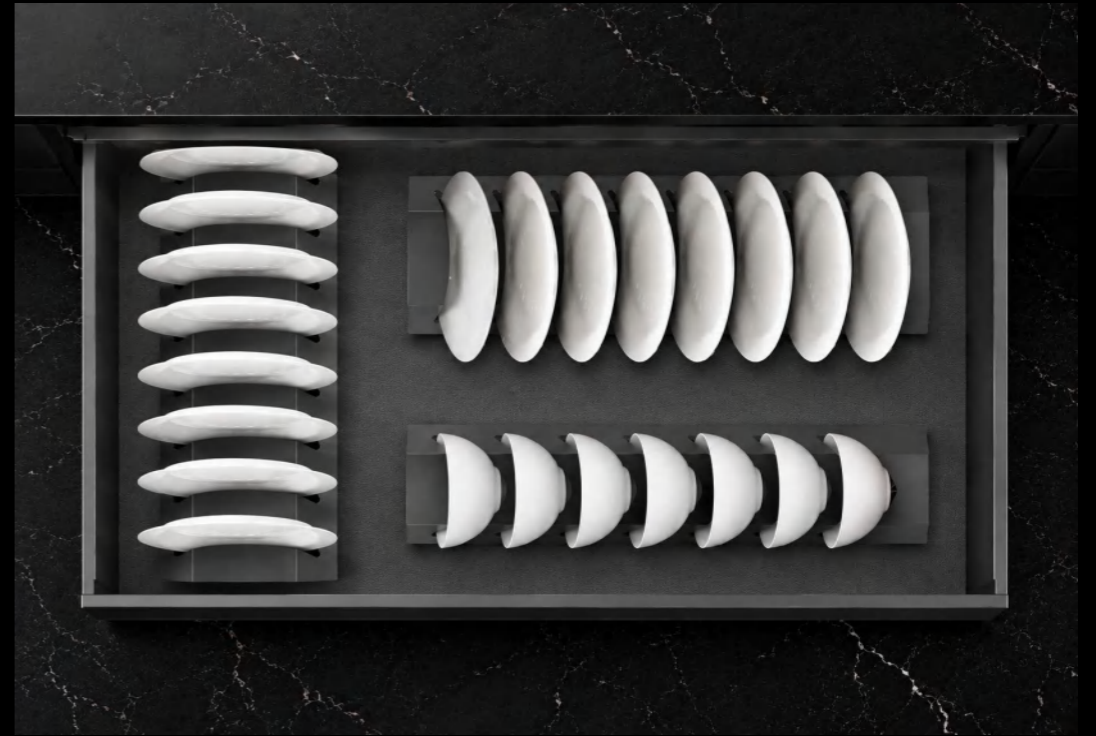


FREE STANDING ORGANISERS
Series



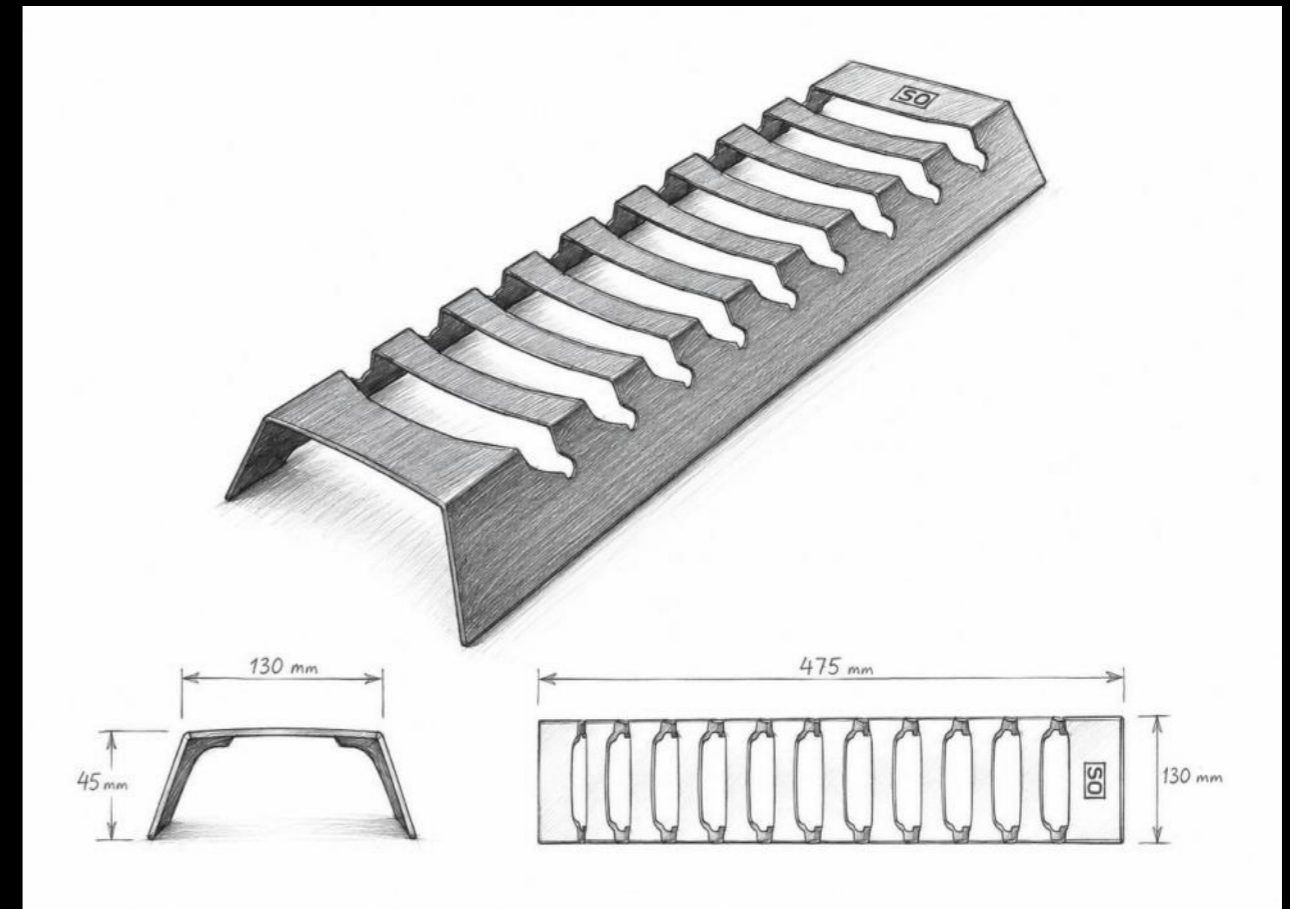
BOWL ORGANISER

Item	COLOR	MATERIAL	Description	SIZE (LxWxH)
BOWL ORGANISER	Brown	ABS MATERIAL	The main frame is made of space ABS material	FREE STANDING



FREE STANDING ORGANISERS

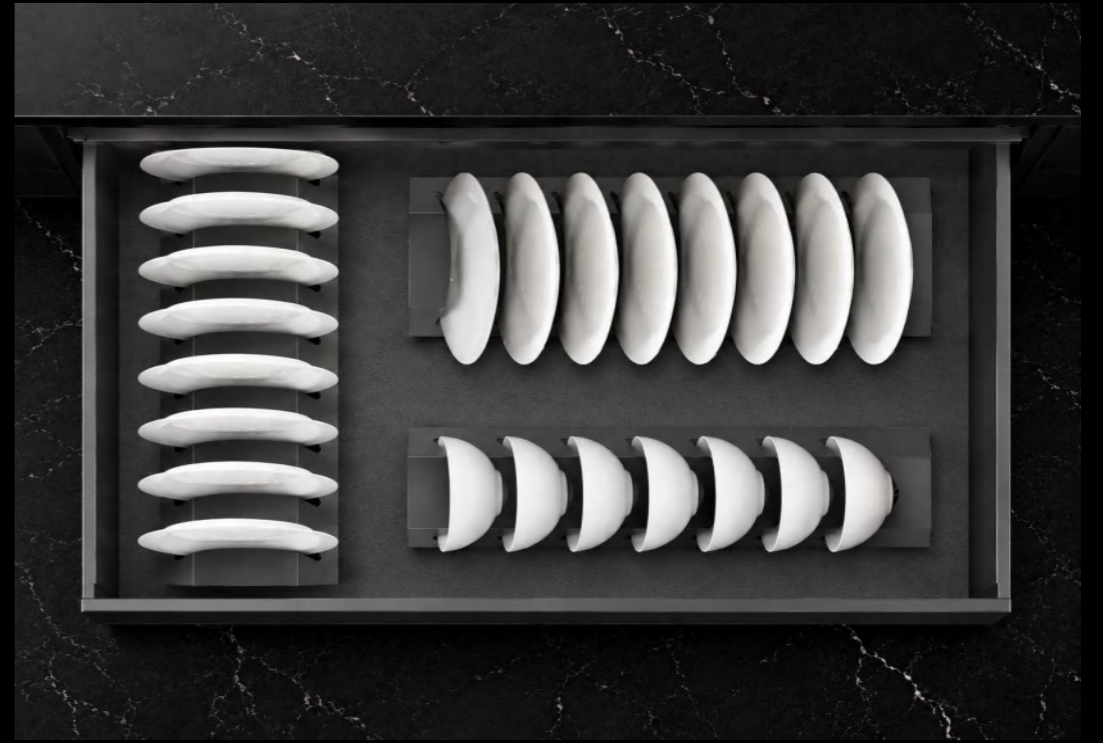
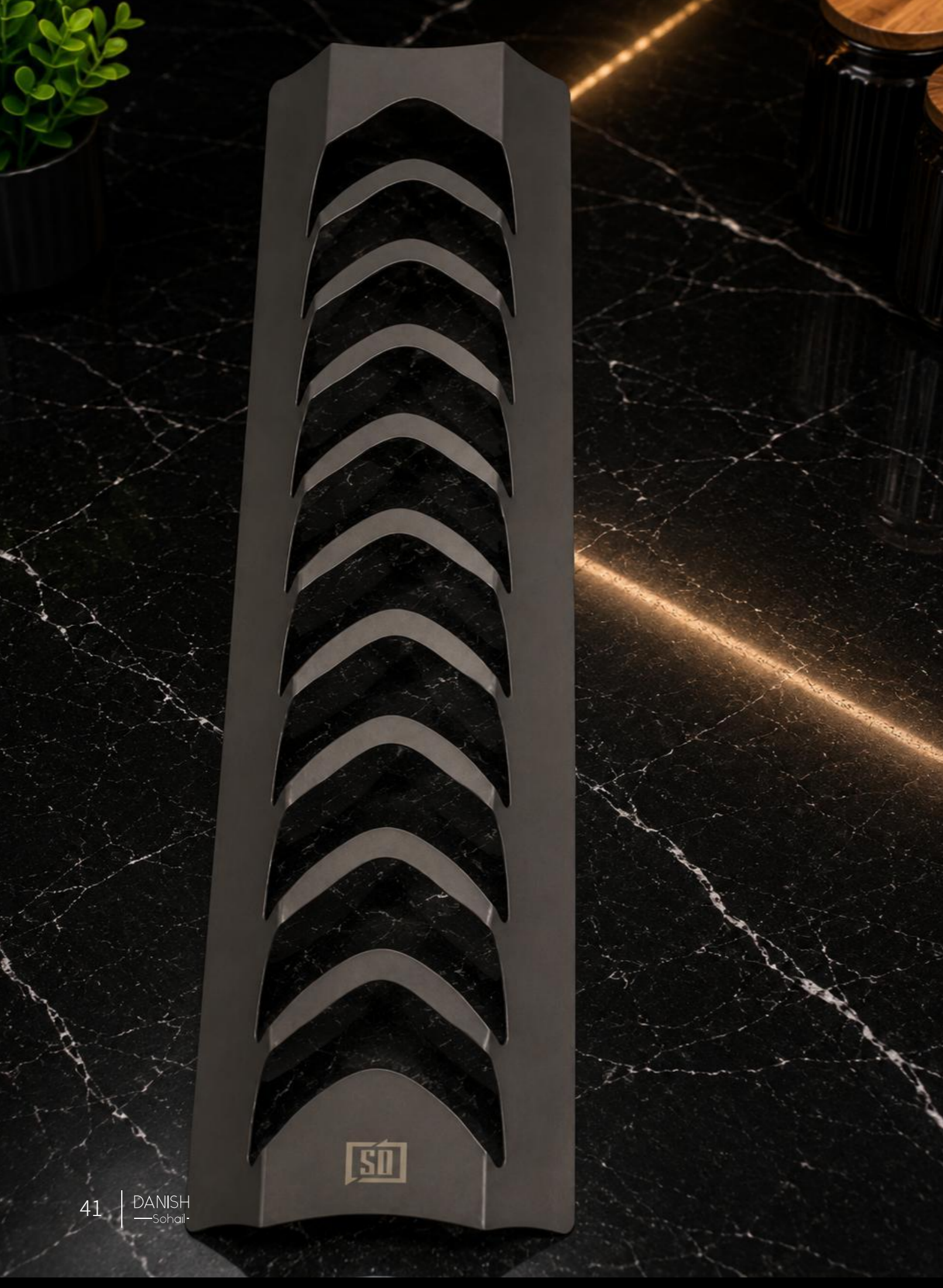
Series



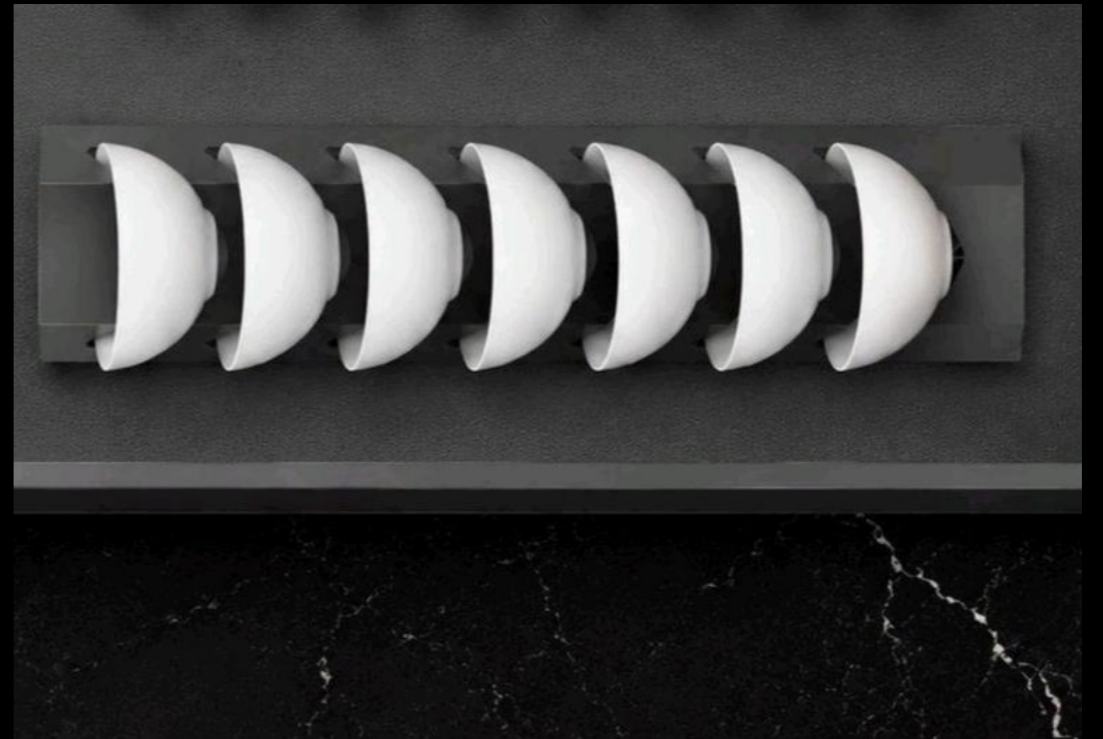
PLATES ORGANISER

Item	COLOR	SURFACE TREATMENT	Description	SIZE (LxWxH)
PLATES ORGANISER	Grey	Fluorocarb spraying	The main frame is made of space stainless steel material.	FREE STANDING



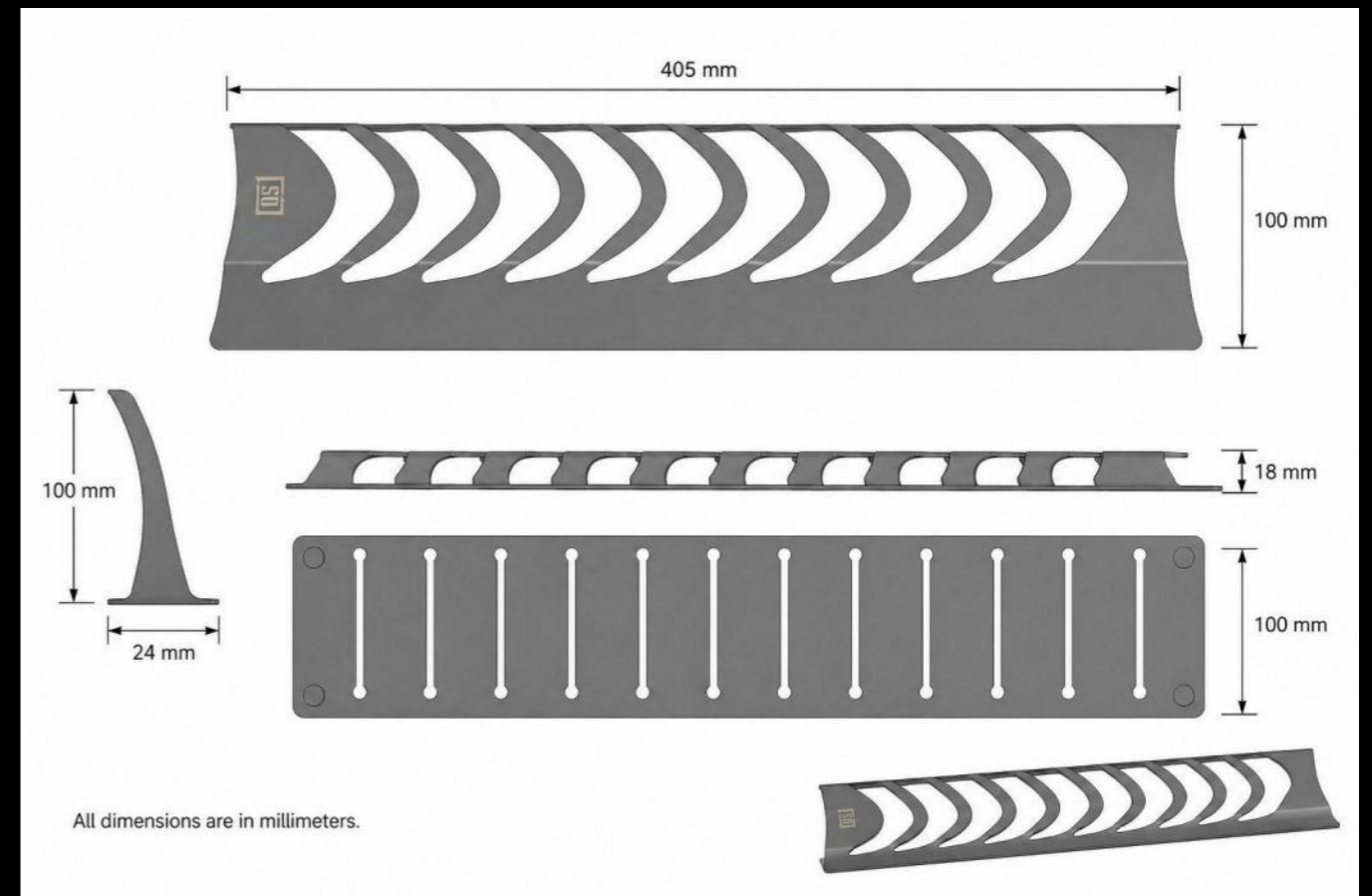


BOWL ORGANISER



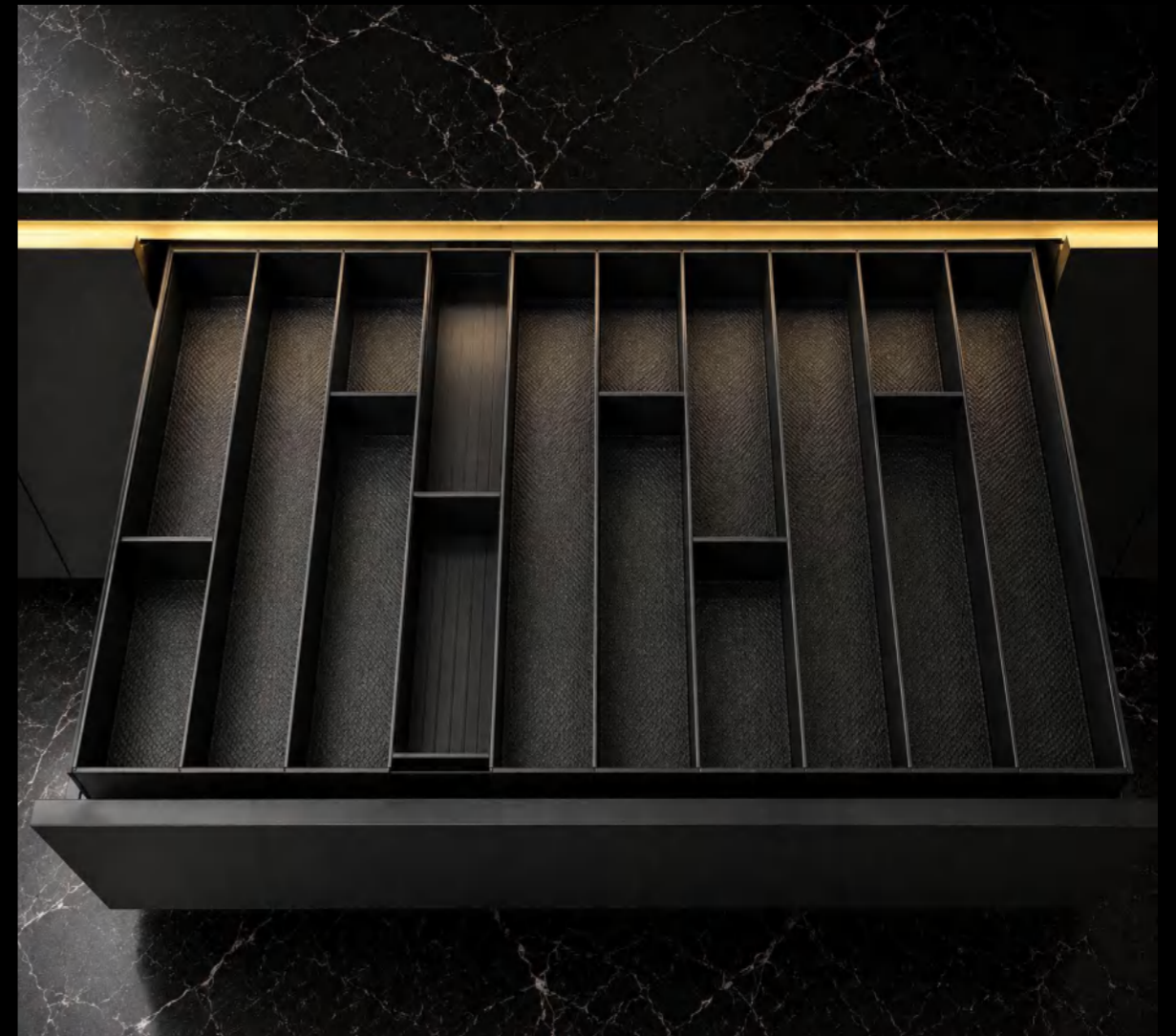
FREE STANDING ORGANISERS

Series



BOWL ORGANISER

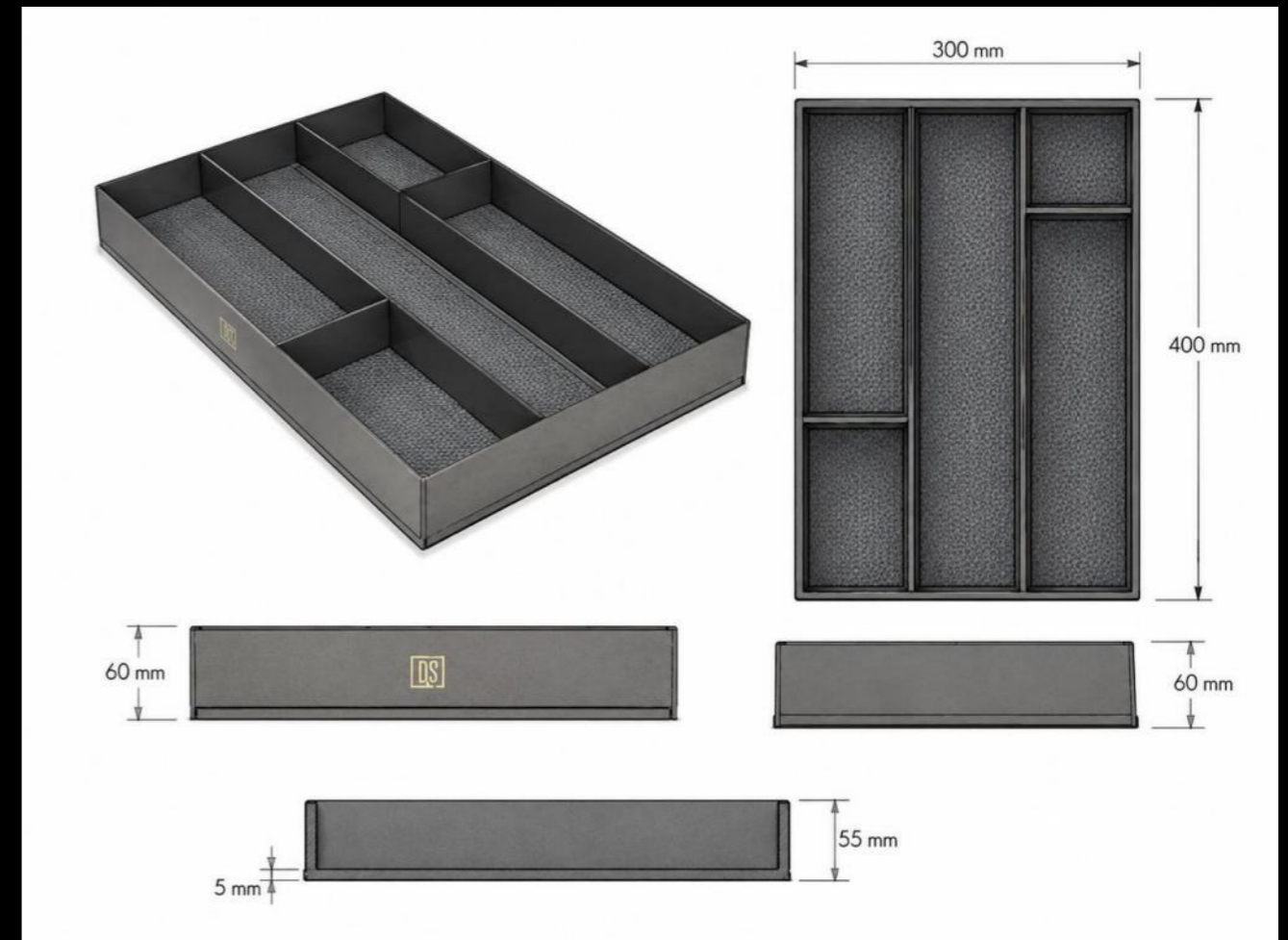
Item	COLOR	SURFACE TREATMENT	Description	SIZE (LxWxH)
BOWL ORGANISER	Grey+Brown	Fluorocarb spraying	The main frame is made of space stainless steel material.	FREE STANDING



UTENSIL HOLDER (BIG)

FREE STANDING ORGANISERS

Series



UTENSIL HOLDER (BIG)

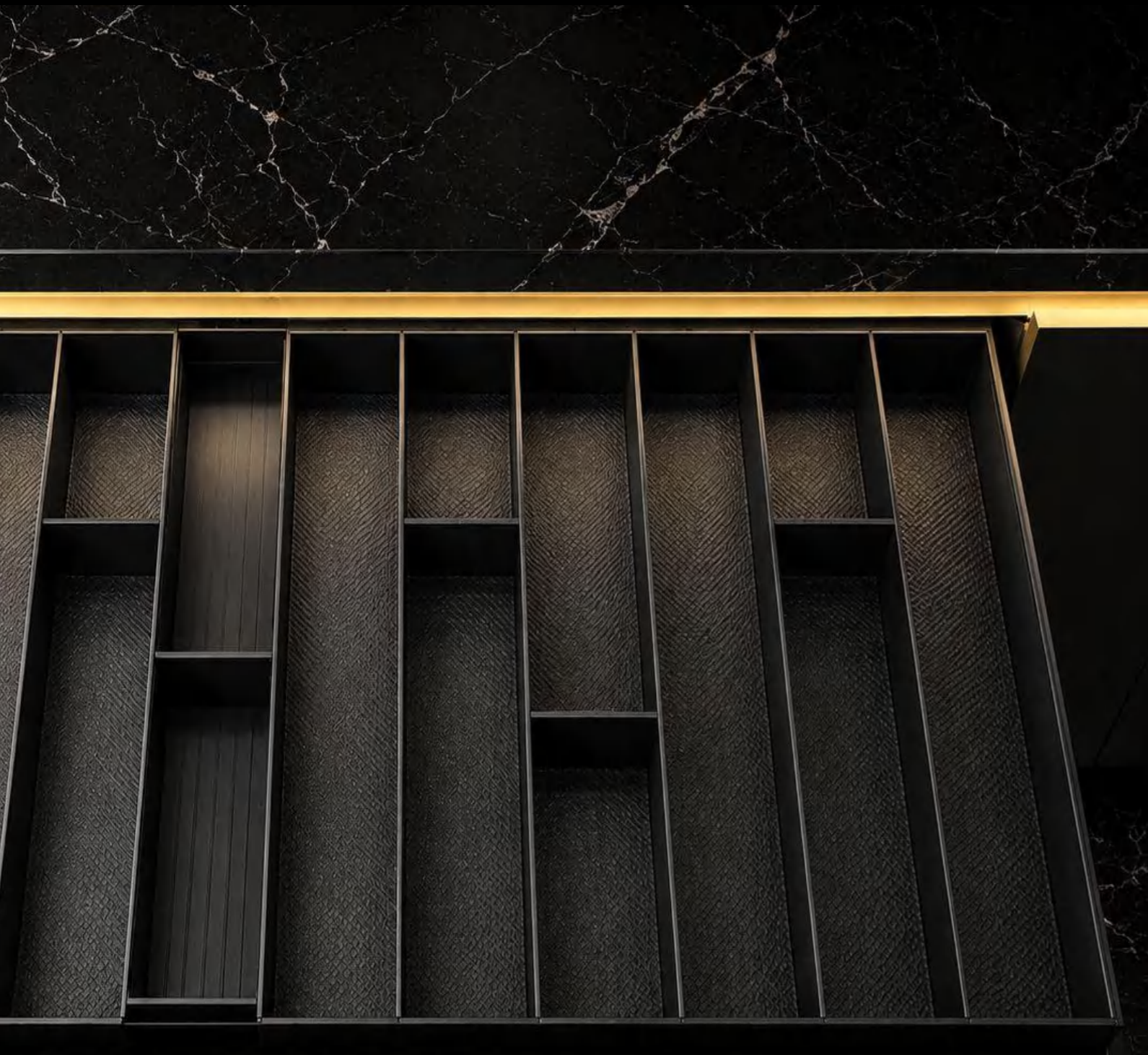
Item	COLOR	SURFACE TREATMENT	Description	SIZE (LxWxH)
UTENSIL HOLDER (BIG)	Grey+Brown	Fluorocarb spraying	The main frame is made of space stainless steel material.	FREE STANDING



UTENSIL HOLDER (SMALL)

FREE STANDING ORGANISERS

Series



UTENSIL HOLDER (SMALL)

Item	COLOR	SURFACE TREATMENT	Description	SIZE (LxWxH)
UTENSIL HOLDER (SMALL)	Grey+Brown	Fluorocarb spraying	The main frame is made of space stainless steel material.	FREE STANDING

DRAWER ORGANISERS



DANISH
—Sohail—





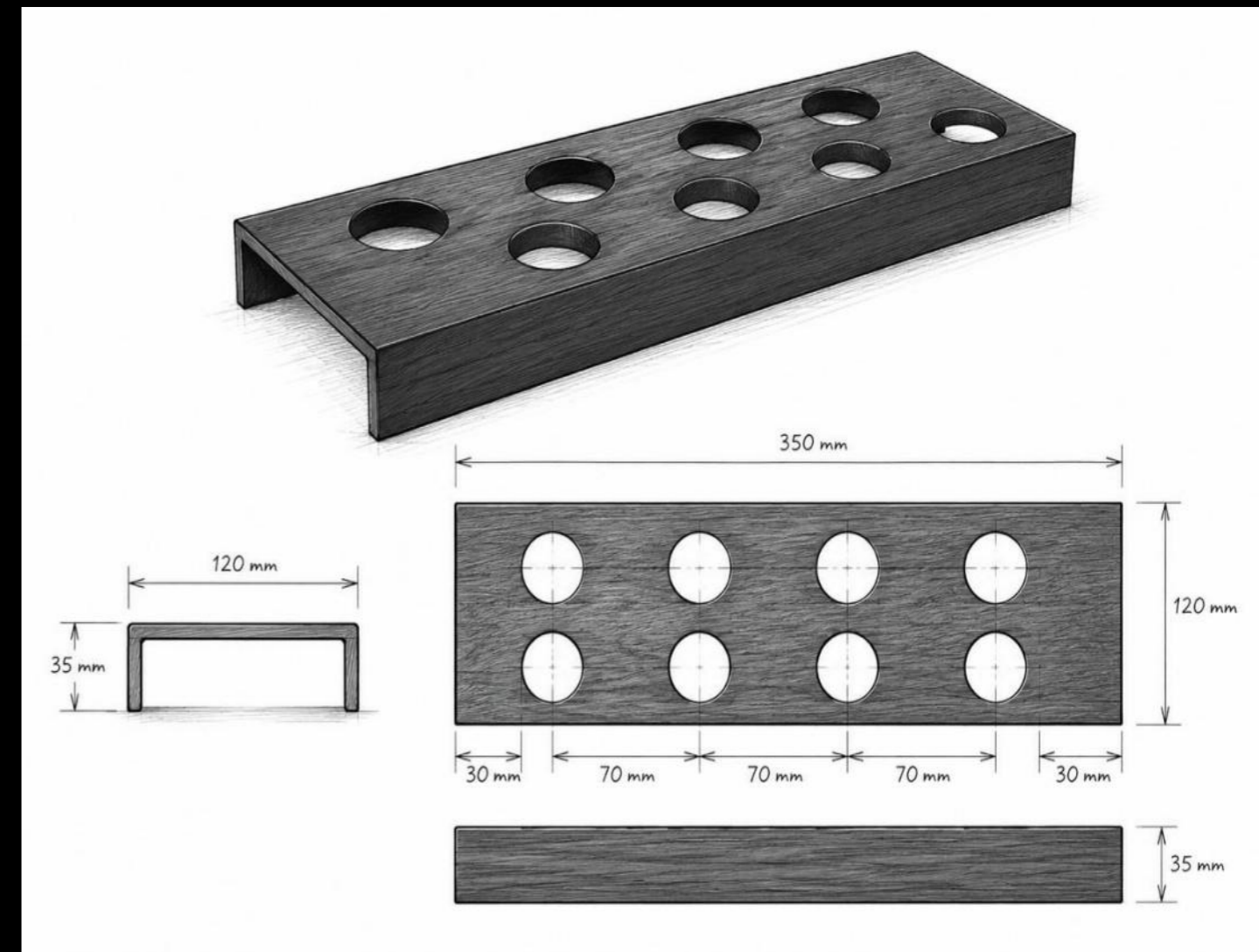


Prevents overlapping piles by categorizing items side by side.



FREE STANDING ORGANISERS

Series



SPICE BOTTLE RACK

Item	COLOR	SURFACE TREATMENT	Description	SIZE (LxWxH)
SPICE BOTTLE RACK	Black/Walnut	Finish (HPL)	HPL finish is a smooth, durable, and water-resistant surface that gives drawers a premium look and long-lasting protection.	FREE STANDING
				FREE STANDING





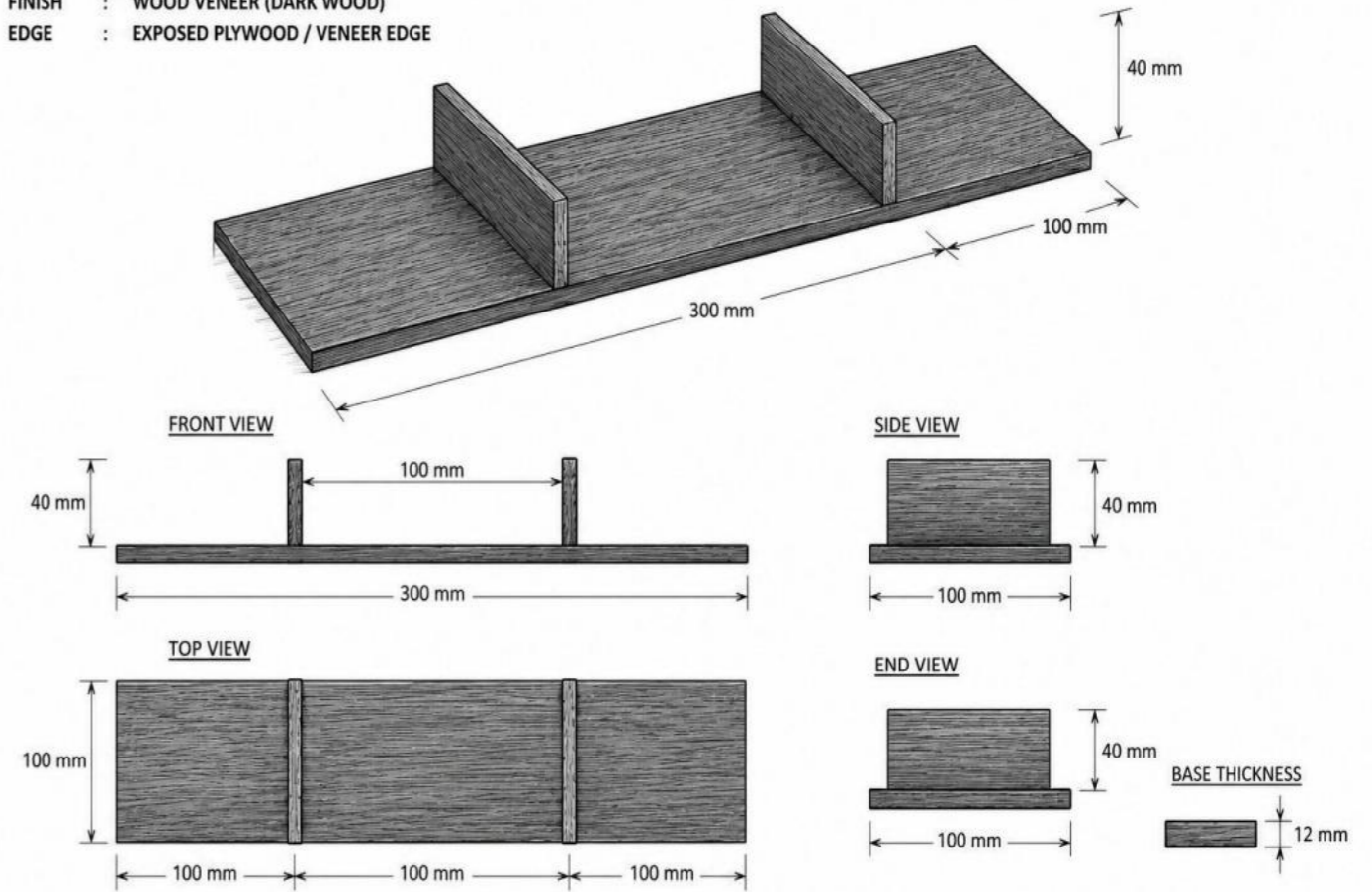
Prevents overlapping piles by categorizing items side by side.



FREE STANDING ORGANISERS

Series

MATERIAL : WOOD / MDF
 FINISH : WOOD VENEER (DARK WOOD)
 EDGE : EXPOSED PLYWOOD / VENEER EDGE



All dimensions are in millimeters.

CUTLERY DEVIDER

Item	COLOR	SURFACE TREATMENT	Description	SIZE (LxWxH)
CUTLERY DEVIDER	Black/Walnut	Finish (HPL)	HPL finish is a smooth, durable, and water-resistant surface that gives drawers a premium look and long-lasting protection.	FREE STANDING
				FREE STANDING

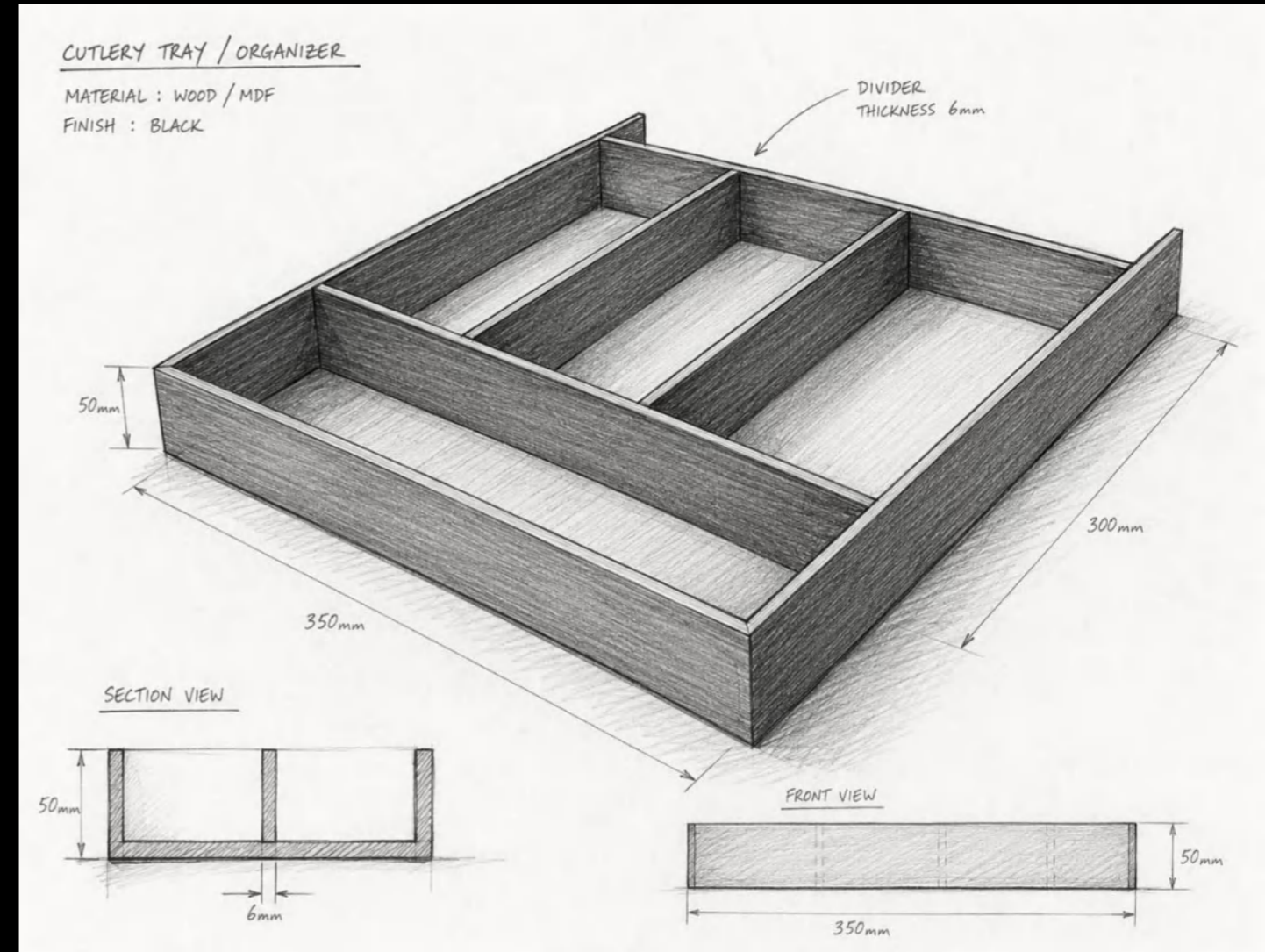




FREE STANDING ORGANISERS

Series

Turn messy drawers into organized zones for cutlery, gadgets, and tools.



CUTLERY RACK

Item	COLOR	SURFACE TREATMENT	Description	SIZE (LxWxH)
CUTLERY RACK	Black/Walnut	Finish (HPL)	HPL finish is a smooth, durable, and water-resistant surface that gives drawers a premium look and long-lasting protection.	FREE STANDING
				FREE STANDING



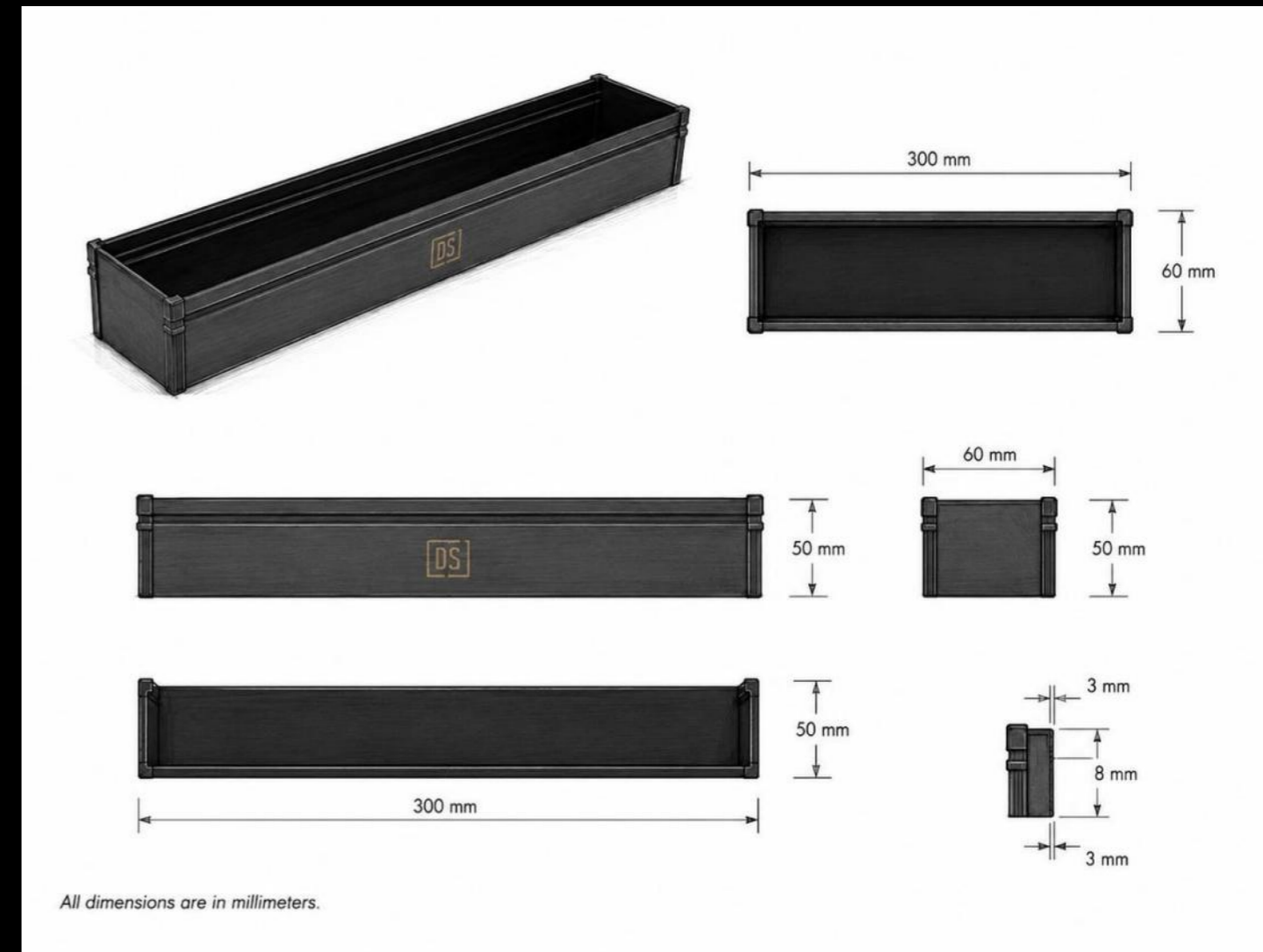


Simple Orderly Quality Of Life



FREE STANDING ORGANISERS

Series



CUTLERY DEVIDER TRAY

Item	COLOR	SURFACE TREATMENT	Description	SIZE (LxWxH)
CUTLERY DEVIDER TRAY	Grey+Brown	Fluorocarb spraying	The main frame is made of space ABS material	FREE STANDING
				FREE STANDING



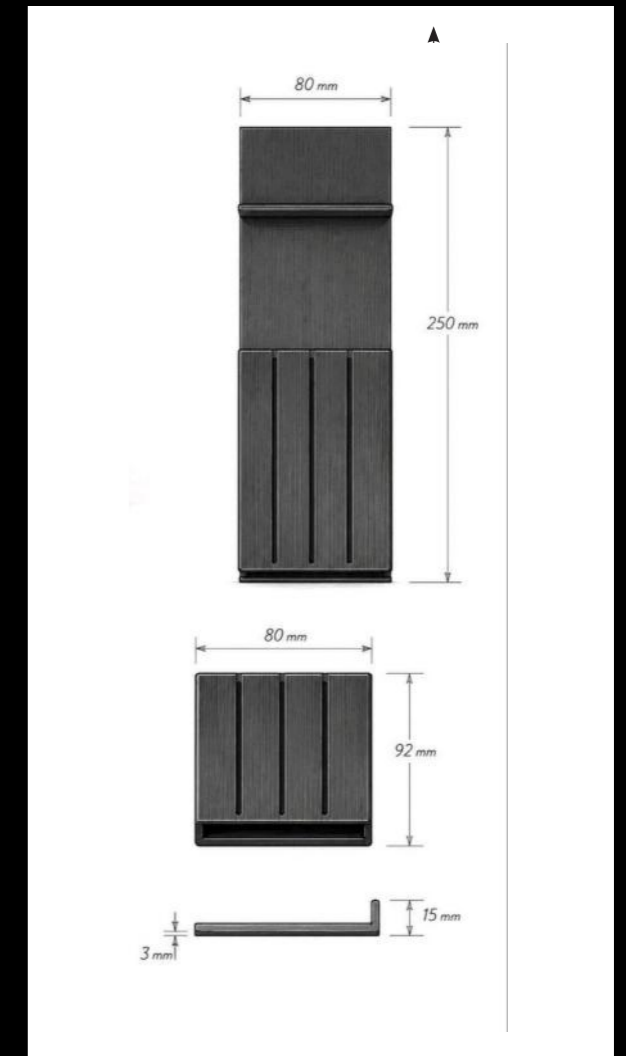
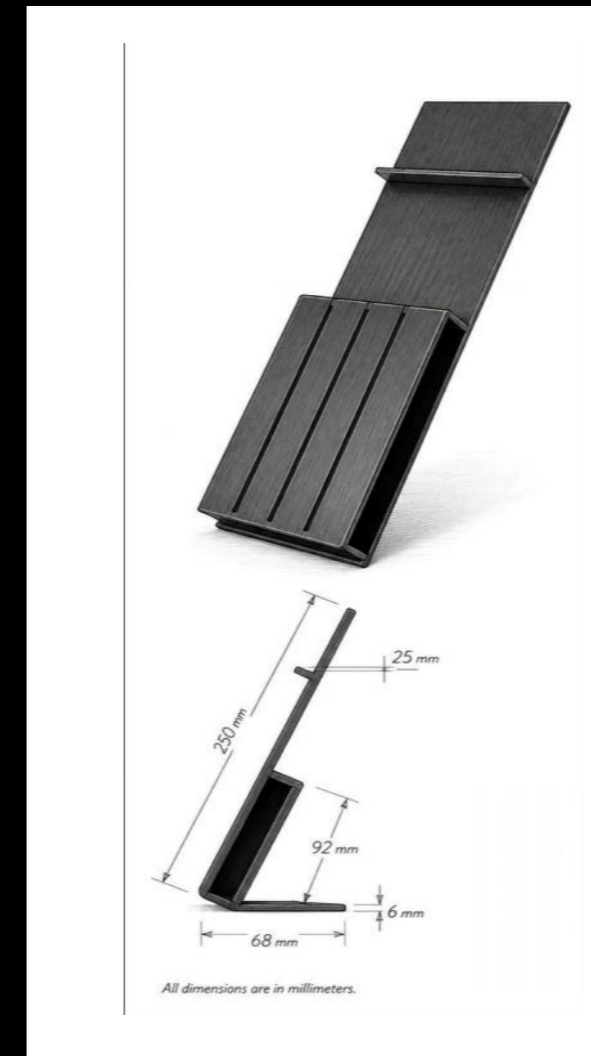


Say goodbye to drawer chaos - organize your kitchen like a pro in seconds.



FREE STANDING ORGANISERS

Series



TOOL HOLDER

Item	COLOR	SURFACE TREATMENT	Description	SIZE (LxWxH)
TOOL HOLDER	Black/Walnut	Finish (HPL)	HPL finish is a smooth, durable, and water-resistant surface that gives drawers a premium look and long-lasting protection.	FREE STANDING
				FREE STANDING



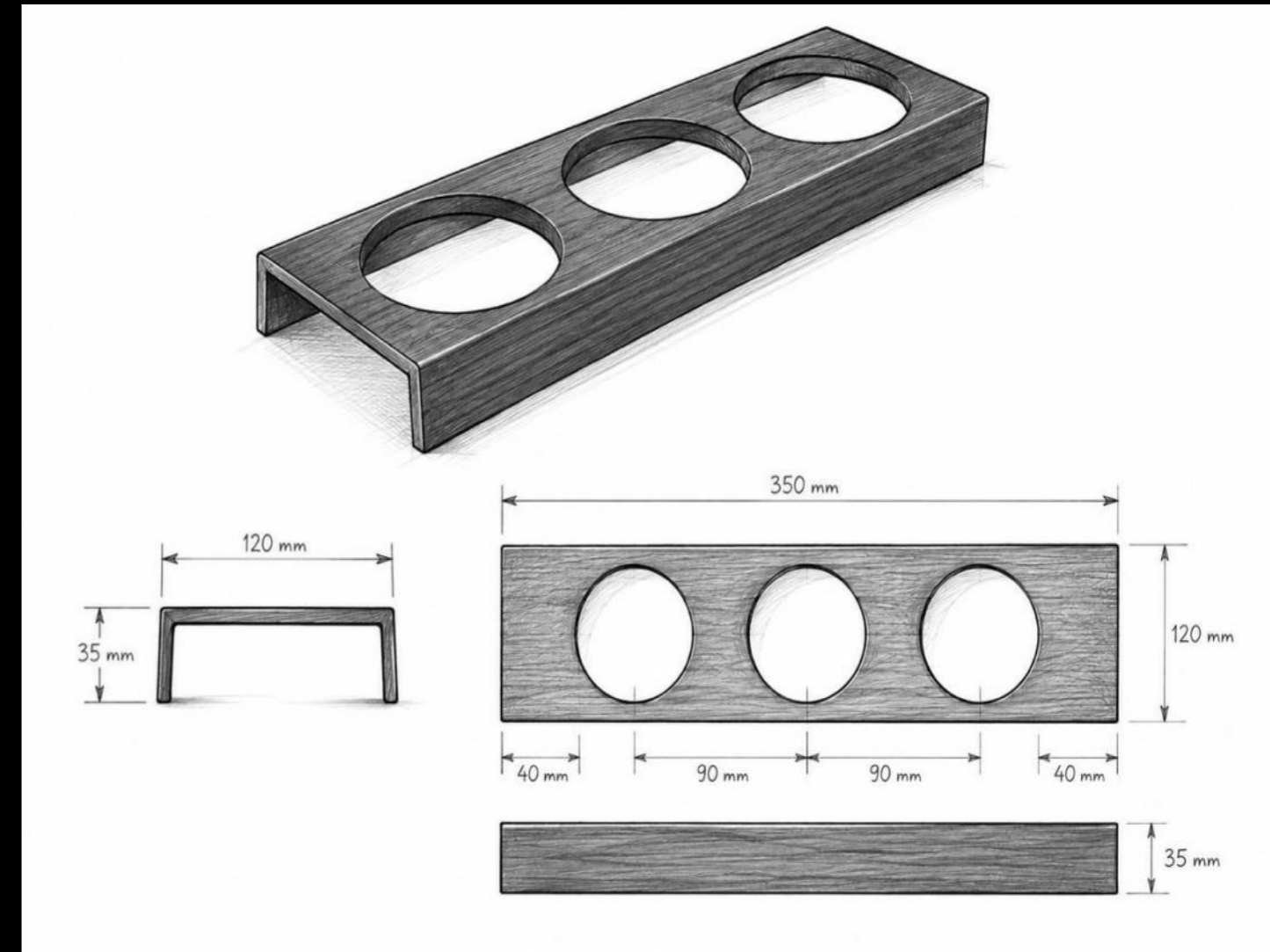


Simple Orderly Quality Of Life



FREE STANDING ORGANISERS

Series



JAR RACK

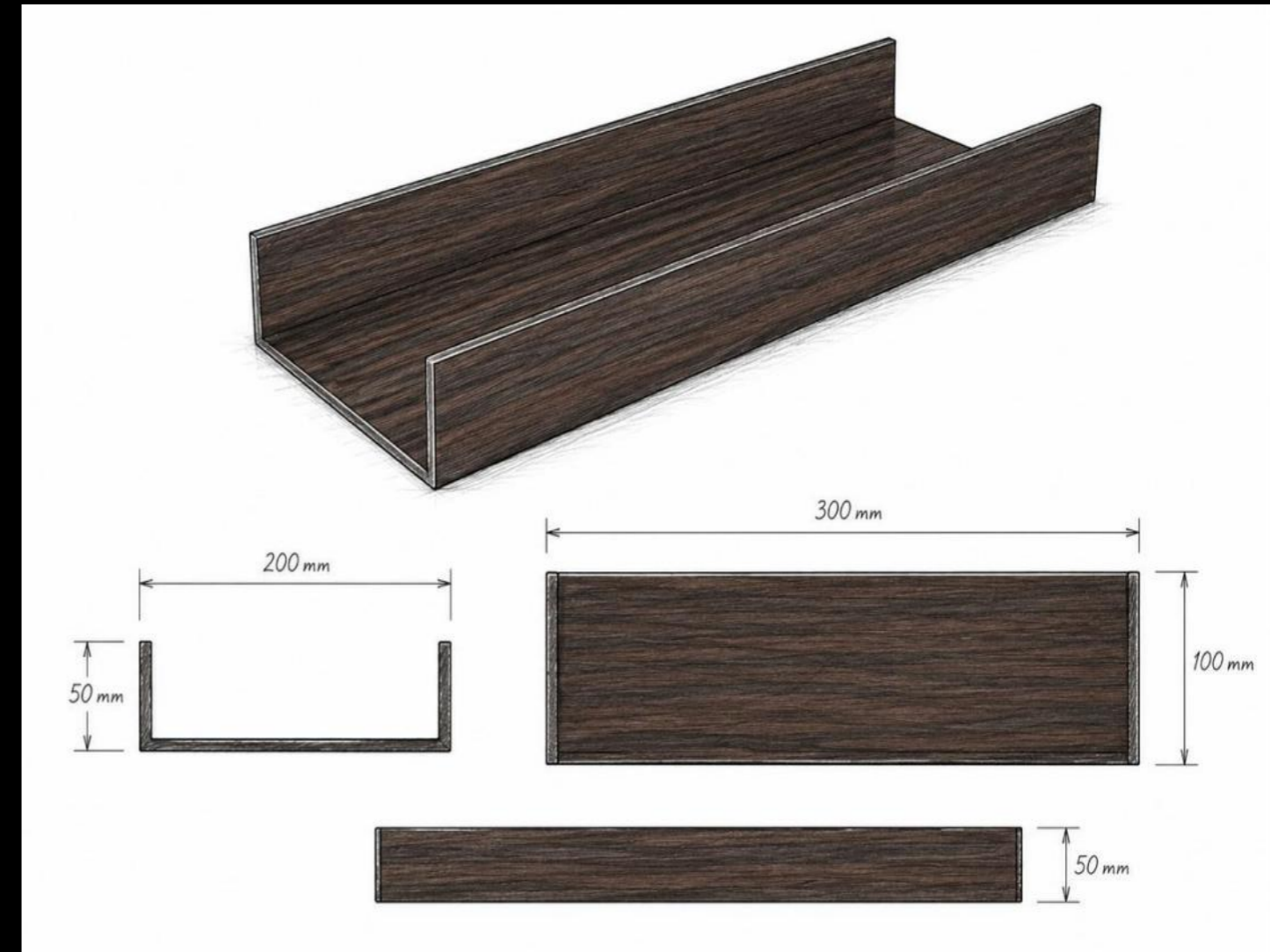
Item	COLOR	SURFACE TREATMENT	Description	SIZE (LxWxH)
JAR RACK	Black/Walnut	Finish (HPL)	HPL finish is a smooth, durable, and water-resistant surface that gives drawers a premium look and long-lasting protection.	FREE STANDING
				FREE STANDING



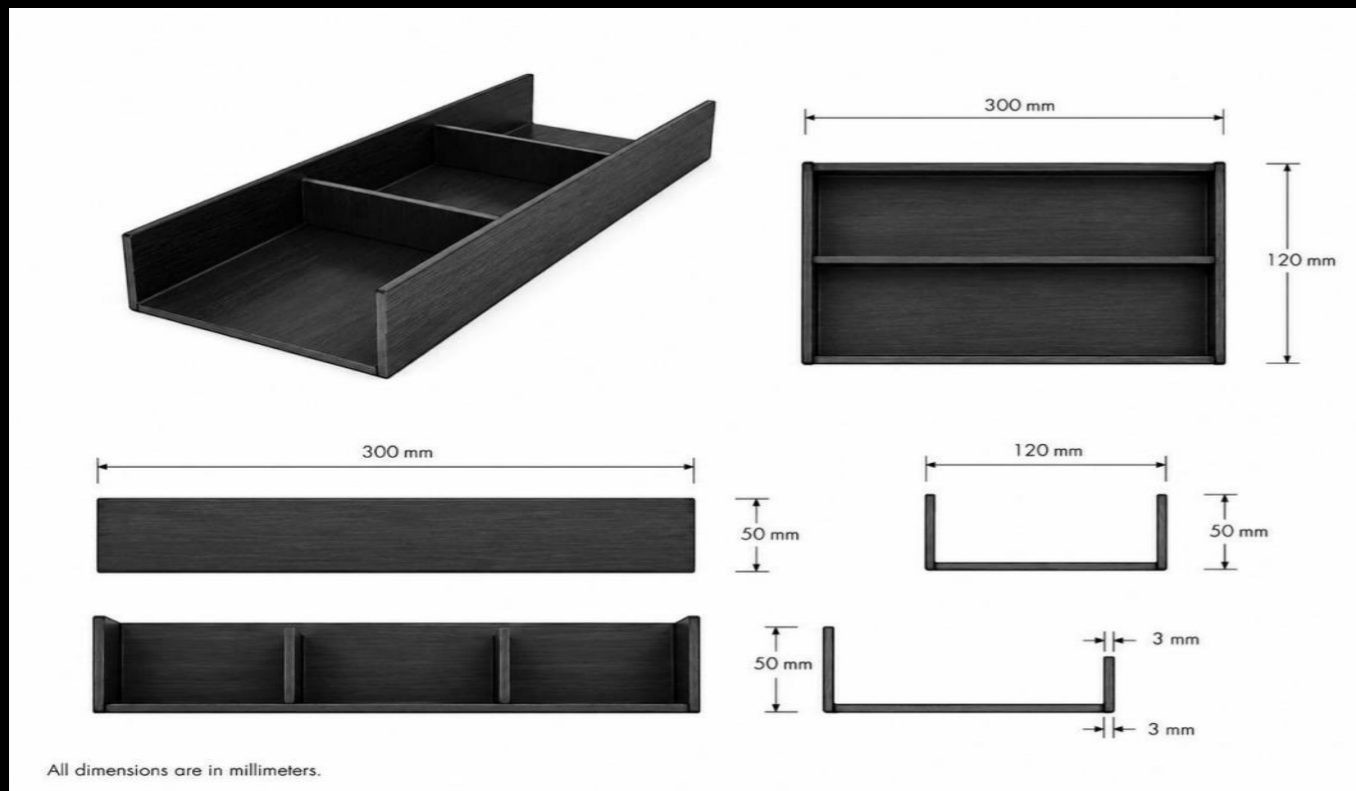


FREE STANDING ORGANISERS

Series



Simple Orderly Quality Of Life



UNIVERSAL TRAY

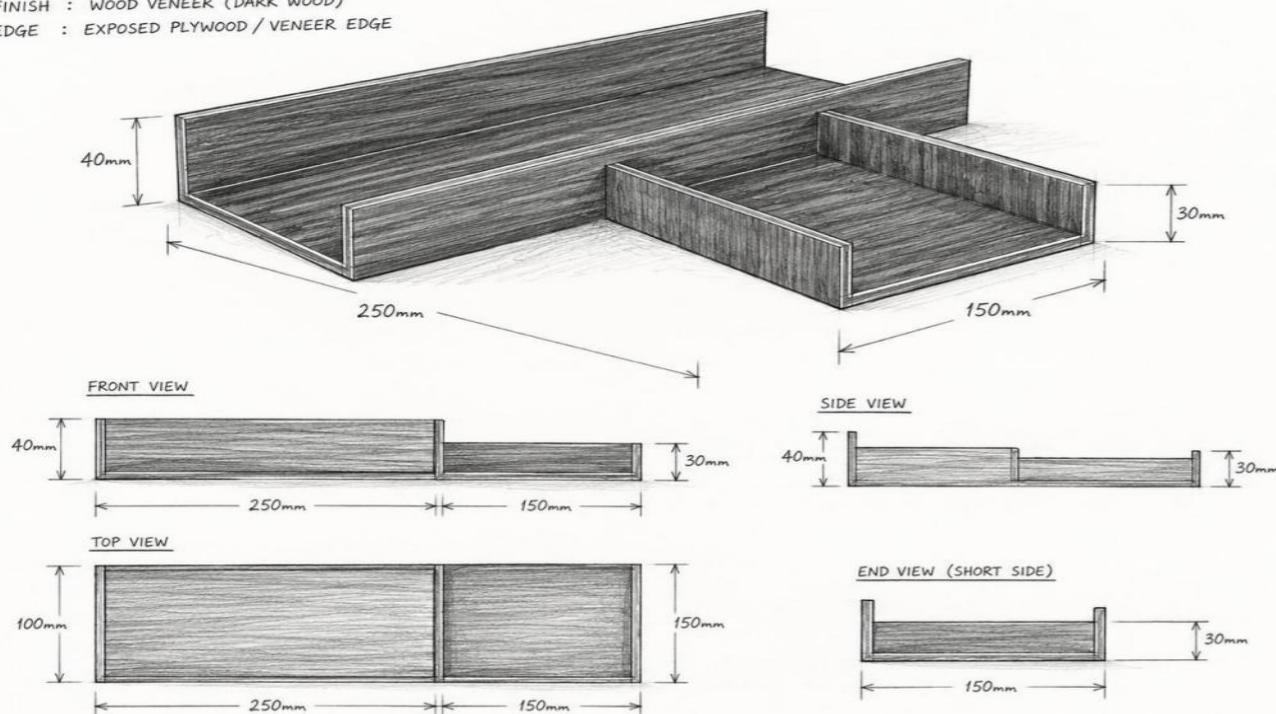
Item	COLOR	SURFACE TREATMENT	Description	SIZE (LxWxH)
UNIVERSAL TRAY	Black/Walnut	Finish (HPL)	HPL finish is a smooth, durable, and water-resistant surface that gives drawers a premium look and long-lasting protection.	FREE STANDING
				FREE STANDING





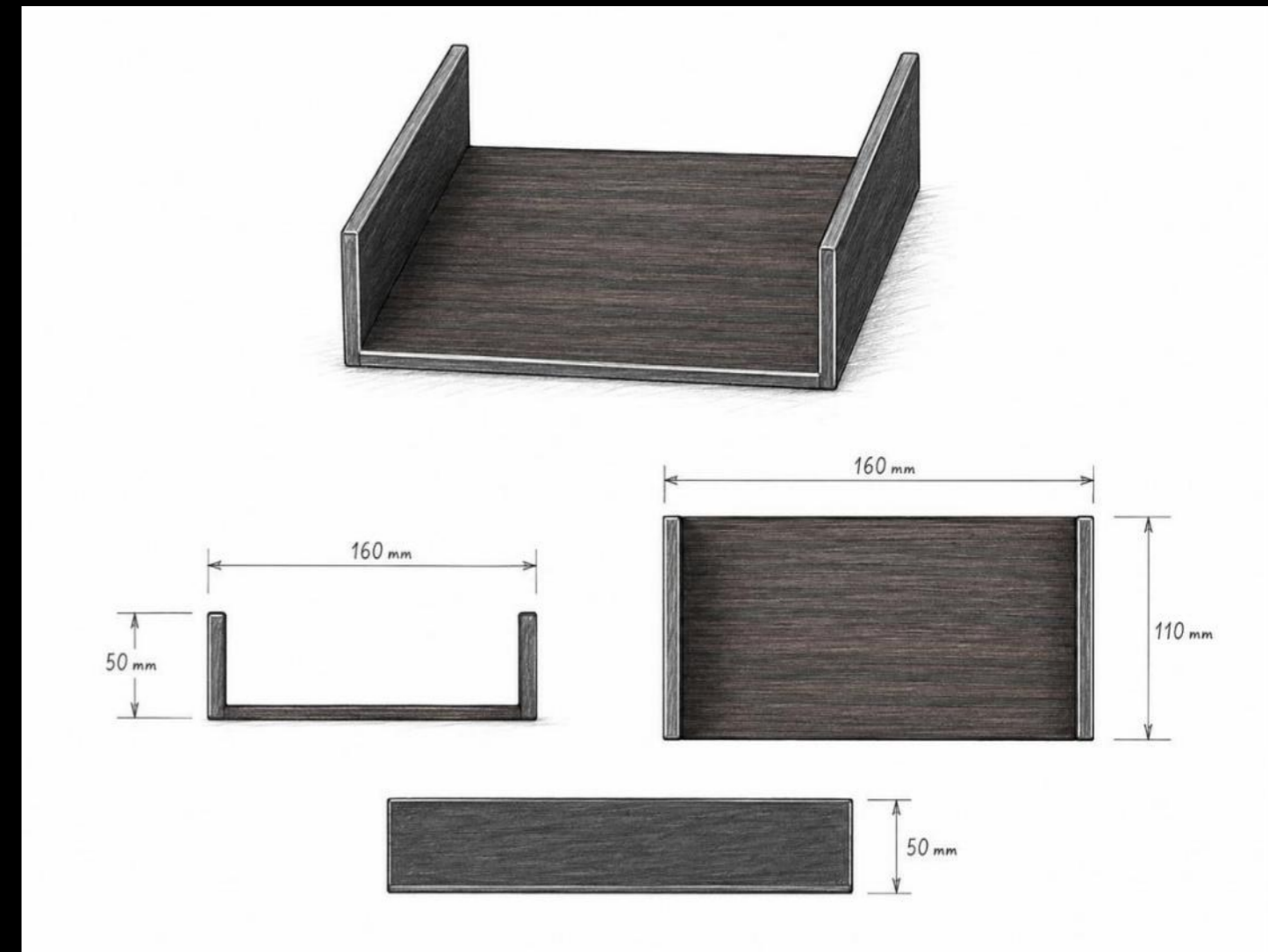
Simple Orderly Quality Of Life

MATERIAL : WOOD / MDF
 FINISH : WOOD VENEER (DARK WOOD)
 EDGE : EXPOSED PLYWOOD / VENEER EDGE



FREE STANDING ORGANISERS

Series



SAPRATOR

Item	COLOR	SURFACE TREATMENT	Description	SIZE (LxWxH)
SAPRATOR	Black/Walnut	Finish (HPL)	HPL finish is a smooth, durable, and water-resistant surface that gives drawers a premium look and long-lasting protection.	FREE STANDING
				FREE STANDING



OUR CUSTOMERS OUR PRIORITY

PREMIUM HARDWARE | SMART SOLUTIONS | TIMELESS LIVING

